

## Large Sweep Motor

- 2 Speeds
- Drives up to 24" / 600mm radial arms and blades
- Available in pre-set sweep angles of 135\*, 145, or 172 degrees
- Optional integrated washer spray nozzle
- Combination mounting bolt / washer fluid port so only 2 holes in the glass or bulkhead are required to install this motor
- Optional mounting hardware kits for thru-the-glass mount or metal bulkhead mount

**MOTOR TORQUE:** 18Nm

**VOLTAGE:** 12v or 24v configurations are available

**LOW SPEED:** 35 sweeps per minute

**HIGH SPEED:** 50 sweeps per minute

**PARK CIRCUITRY:** dynamic park

**WEIGHT:** 2.5 pounds / 1.1 kilograms

**SHAFT:**

**\* 135 degree motor:**

½" drum, 1" length

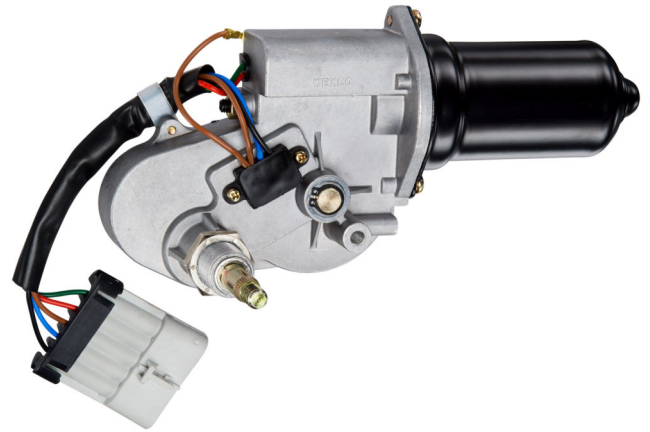
**145 and 172 degree motors:**

10 x 8 DIN, stainless steel, 1" length

**GROUNDING:** isolated, brown wire

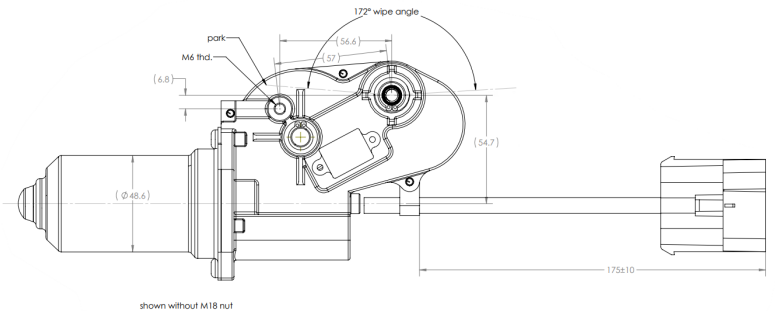
**FUSING:** 20 amps min.

**PARK POSITION:** right hand



**Recommended for**

- Thru-the-glass or bulkhead installations
- Rear windows
- ATV / UTV
- Side by side
- Marine
- Material handling vehicles
- Skid steer



[www.wexcoind.com](http://www.wexcoind.com)  
[customerservice@wexcoind.com](mailto:customerservice@wexcoind.com)

WEXCO Industries  
 3 Barnet Road  
 Pine Brook, New Jersey 07058

(800) 528-3048

2001215r1



## MOTORS

PART NUMBER	SWEEP ANGLE	VOLTAGE
4812.R135D.E1	135 degrees	12v
4824.R135D.E1	135 degrees	24v
4812.R145D.E1	145 degrees	12v
4824.R145D.E1	145 degrees	24v
4812.R172D.E1LW	172 degrees	12v
4824.R172D.E1LW	172 degrees	24v

## COMPATIBLE ADJUSTABLE LENGTH RADIAL WIPER ARMS

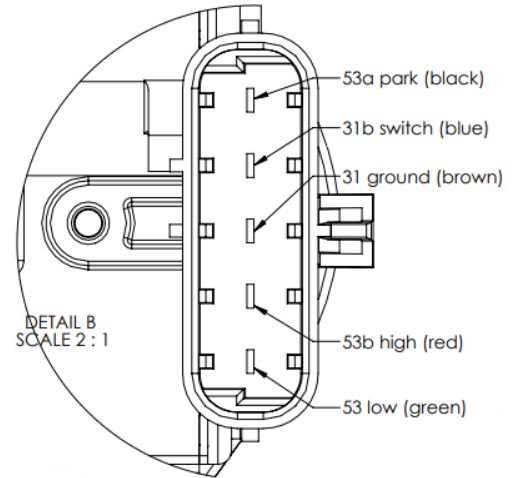
PART NUMBER	LENGTH	DESCRIPTION
200709DS	14" - 18"	Radial arm, dry, J-hook blade connection
200711DS	20" - 24"	Radial arm, dry, J-hook blade connection

## COMPATIBLE WIPER BLADES

PART NUMBER	LENGTH	BLADE CONNECTION	CONSTRUCTION
13609M	9"/230mm	J-hook	304 stainless steel with black powder coat
13610M	10"/250mm	J-hook	304 stainless steel with black powder coat
13611M	11"/275mm	J-hook	304 stainless steel with black powder coat
13612M	12"/300mm	J-hook	304 stainless steel with black powder coat
13614M	14"/350mm	J-hook	304 stainless steel with black powder coat
13616M	16"/400mm	J-hook	304 stainless steel with black powder coat
13618M	18"/450mm	J-hook	304 stainless steel with black powder coat
13620M	20"/500mm	J-hook	304 stainless steel with black powder coat
13622M	22"/550mm	J-hook	304 stainless steel with black powder coat
13624M	24"/600mm	J-hook	304 stainless steel with black powder coat

## MOUNTING KITS

PART NUMBER	DESCRIPTION
K172G	Glass mount ¼" (Wet) Includes mounting hardware, pivot hardware, hose barb and nozzle
K172GD	Glass mount ¼" (Dry) Includes mounting hardware and pivot hardware
K172M	Metal bulkhead mount (Wet) Includes mounting hardware, pivot hardware, hose barb and nozzle
K172MD	Metal bulkhead mount (Dry) includes mounting hardware and pivot hardware



**MetriPack 280 connector**  
Connector pin positions

[www.wexcoind.com](http://www.wexcoind.com)

[customerservice@wexcoind.com](mailto:customerservice@wexcoind.com)

WEXCO Industries  
3 Barnet Road  
Pine Brook, New Jersey 07058

(800) 528-3048

2001215r1



WELBALL MFG., INC.  
CERTIFIED TO ISO 9001:2015  
1000111

