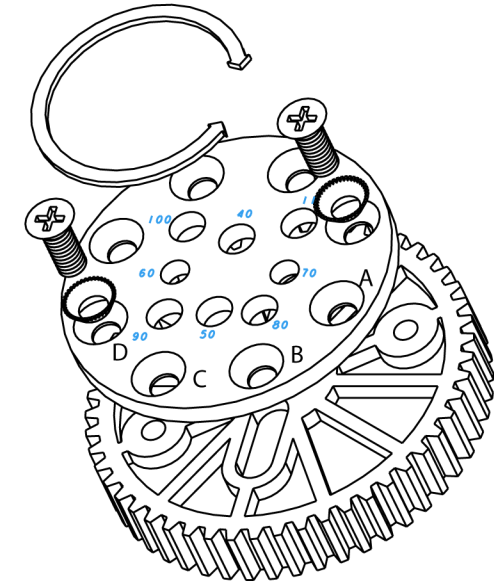


Wiper Motor Torque : 15 Nm  
 Speed : 2 Speed Fast/Slow  
 Isolated Ground Type  
 Pivot : L= 1"(25.4mm),  
 2"(50.6mm),  
 3"(76.2mm)

**MOTOR SPECIFICATIONS**

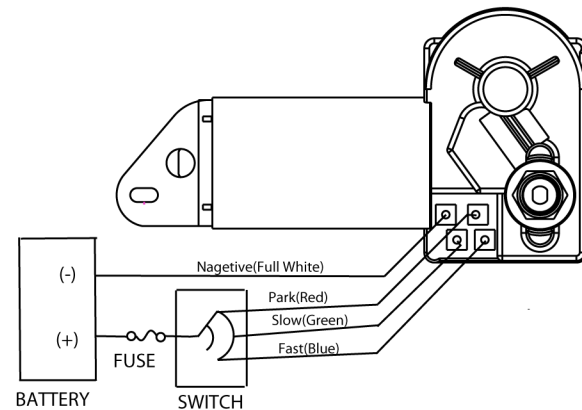
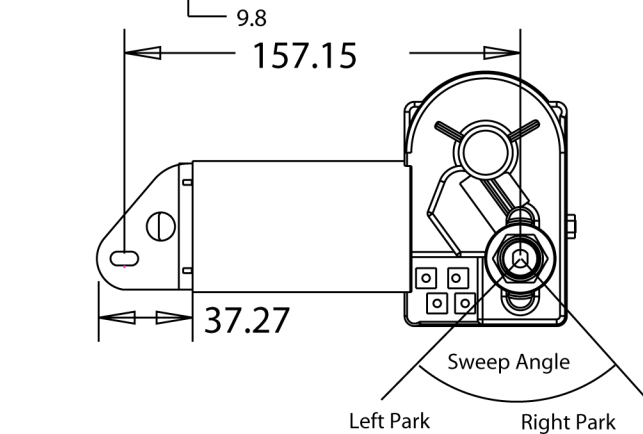
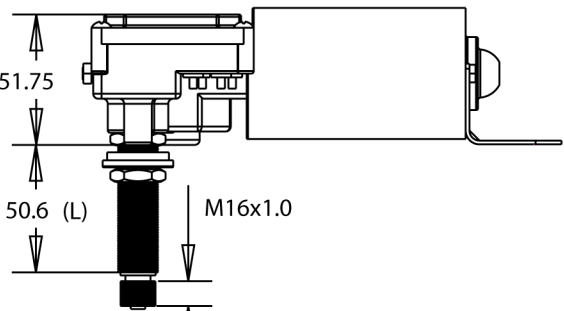
	<b>Voltage</b>	12V		24V	
	<b>Range of voltage</b>	12V + 10%		24V + 10%	
	<b>Self-Parking</b>	Yes		Yes	
<b>Without Load</b>	<b>Torque</b>	15.6 Nm		15.3 Nm	
	<b>Current</b>	1.2A		0.62A	
	<b>Speed</b>	Fast 59	Slow 41	Fast 58	Slow 40
<b>Working Load</b>	<b>Current</b>	1.5A ~ 3.5A		0.72A ~ 1.83A	
	<b>Speed</b>	Fast 57	Slow 41	Fast 55	Slow 39
<b>Blocked Spindle</b>	<b>Torque</b>	14.7 Nm		14.9 Nm	
	<b>Current</b>	11.2 A		6.01A	

Different Angle & Parking Configurations.  
 To be adjusted when motor is stopped in parking pos.



Angle/Park Hole Pos.

40/R	D	1
40/L	D	2
50/R	D	2
50/L	D	1
60/R	B	2
60/L	B	1
70/R	B	1
70/L	B	2
80/R	C	2
80/L	C	1
90/R	A	2
90/L	A	1
100/R	C	1
100/L	C	2
110/R	A	1
110/L	A	2



Scale	1:1				
Projection					
Unit	mm	Part Name	4R1.12.R110CE		
Approved			Material	Drawing Number	
Designer		Quantity			
Drawn					