

Adjustable Marine Drive Installation Instructions

Instructions:

1. Illustration of components referenced in instruction sheet.

2. Run motor for 1 cycle to confirm park position using vehicle wiper switch. Nut to remain loose, only motor shaft should turn.

3. Note that threaded pin is supplied loose on assembly, nut shown removed for clarity.

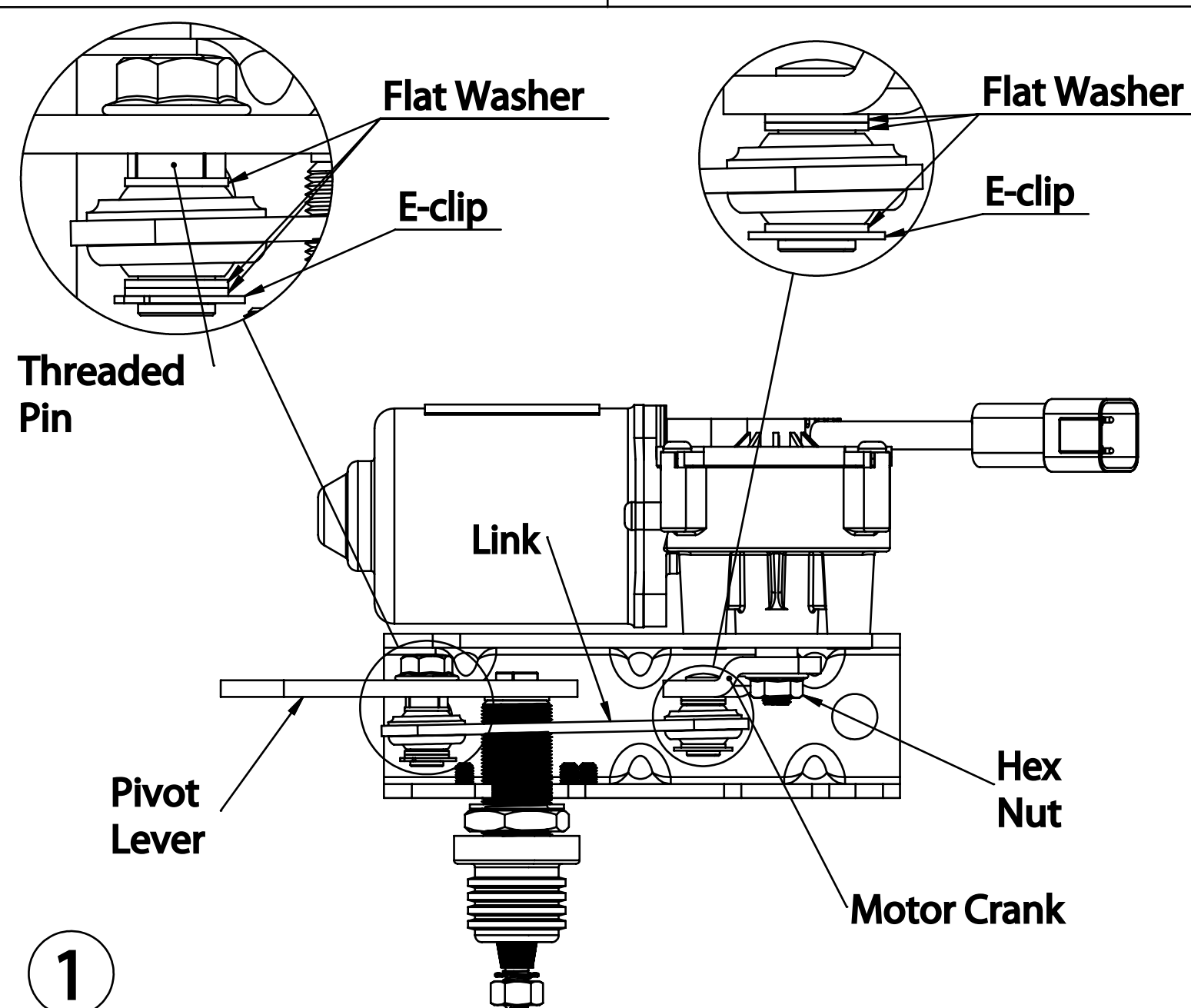
4. Move threaded pin away from pivot for smaller angles and toward pivot for larger angles. Tighten M8 nut to 15 ft-lb, once angle is set.

5/6. Pivot assembly, motor crank and link combination can be configured to park left or park right as shown. Link is parked when the link and crank are parallel.

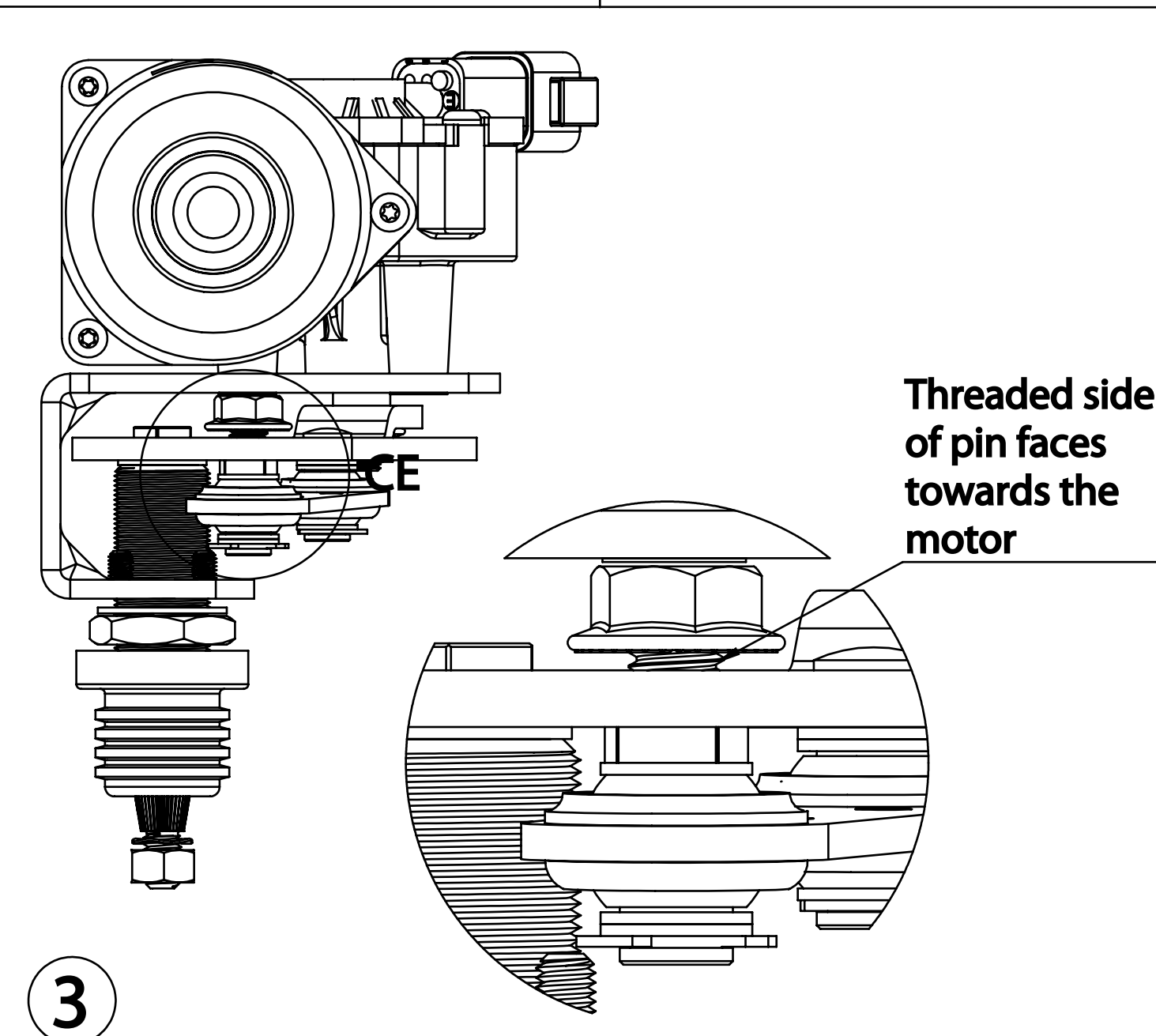
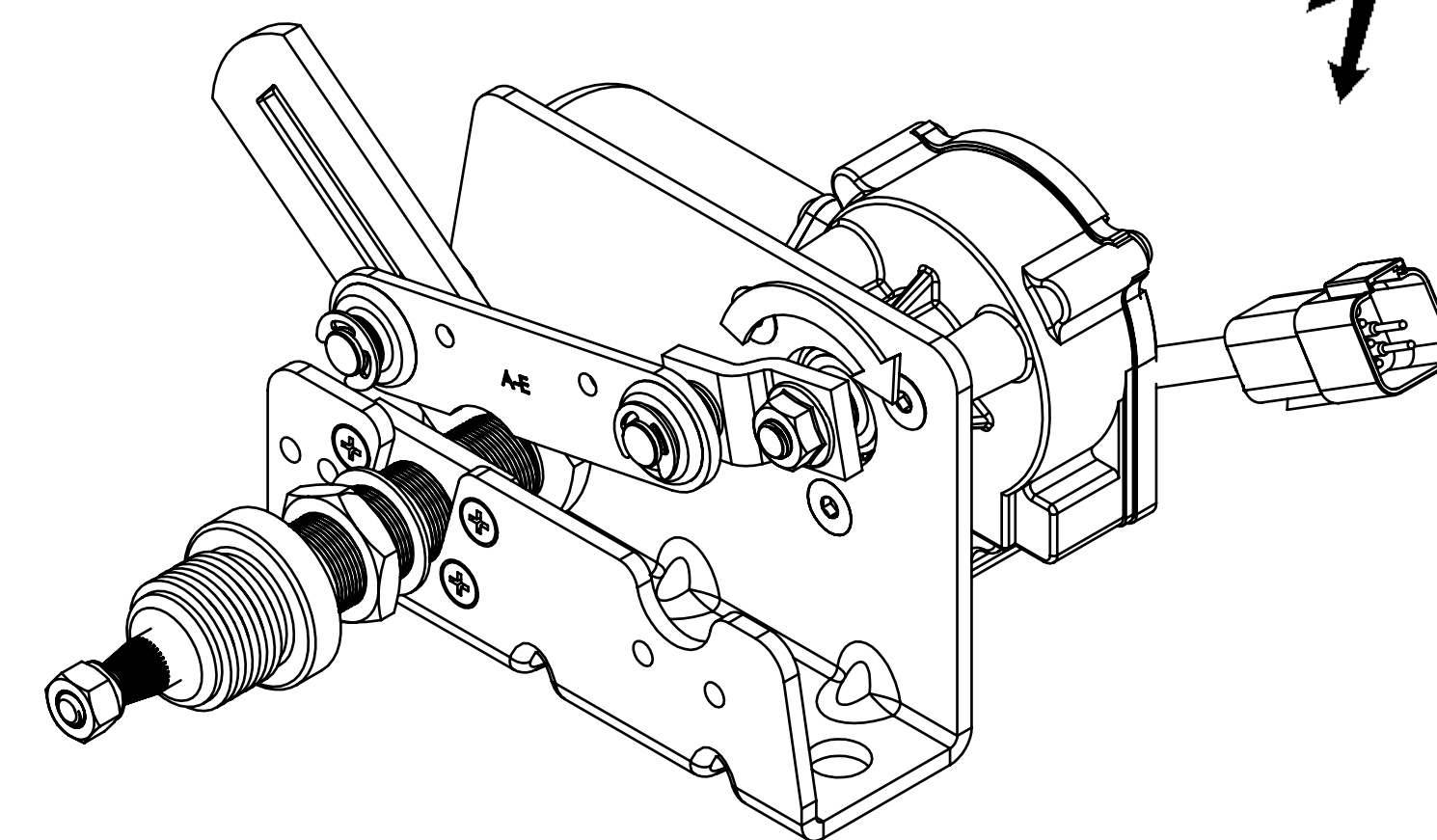
7. Use a 20mm wrench to hold the crank and tighten the M8 nut using a 13mm socket on a click torque wrench. Torque to 20 ft-lb.

8. Confirm components are secure and tighten to specs prior installation.

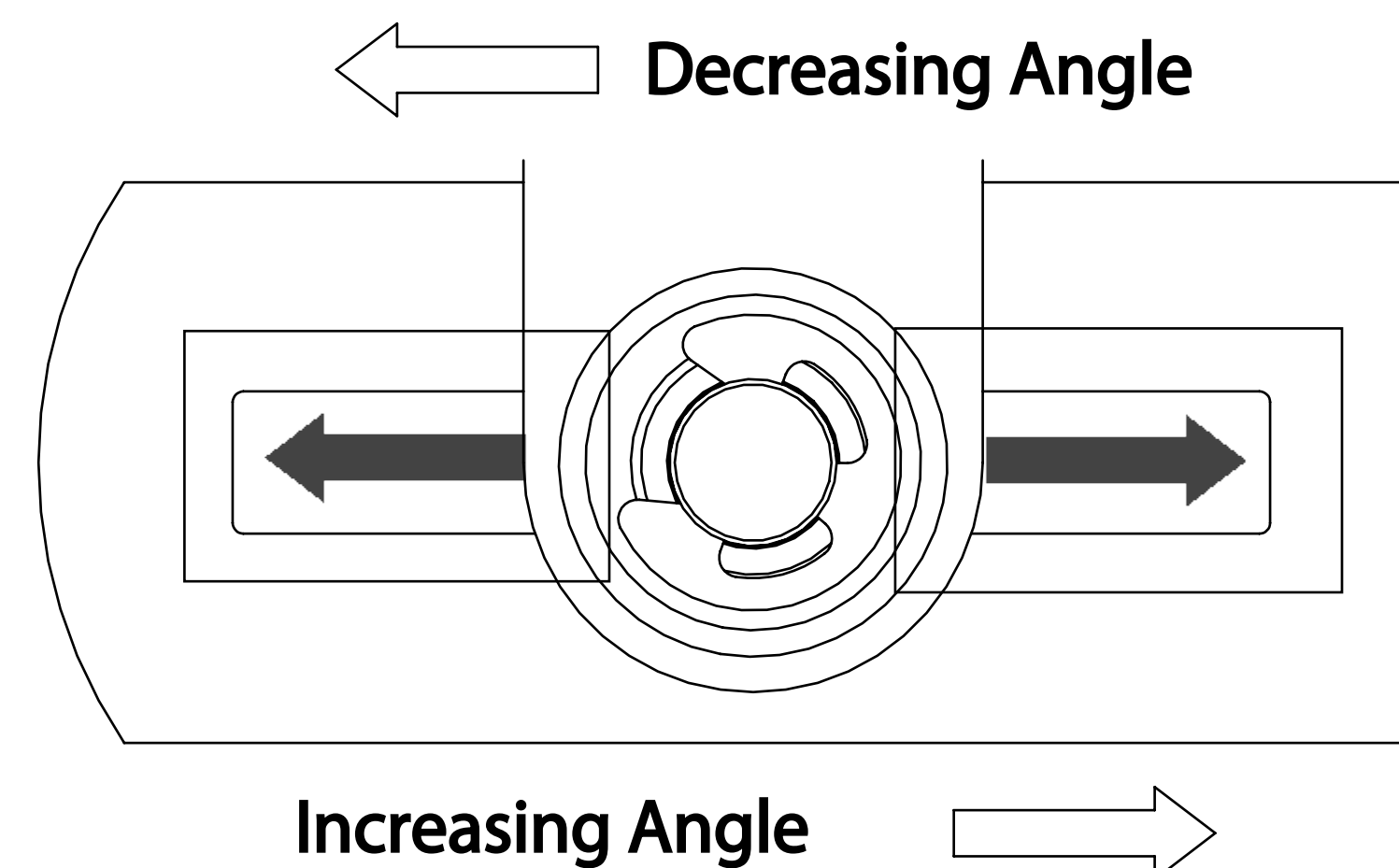
9. WEXCO dynamic park motors are compatible with Cole Hersee Switch 75228-3 or equivalent, refer to connector detail shown for wiring polarity.



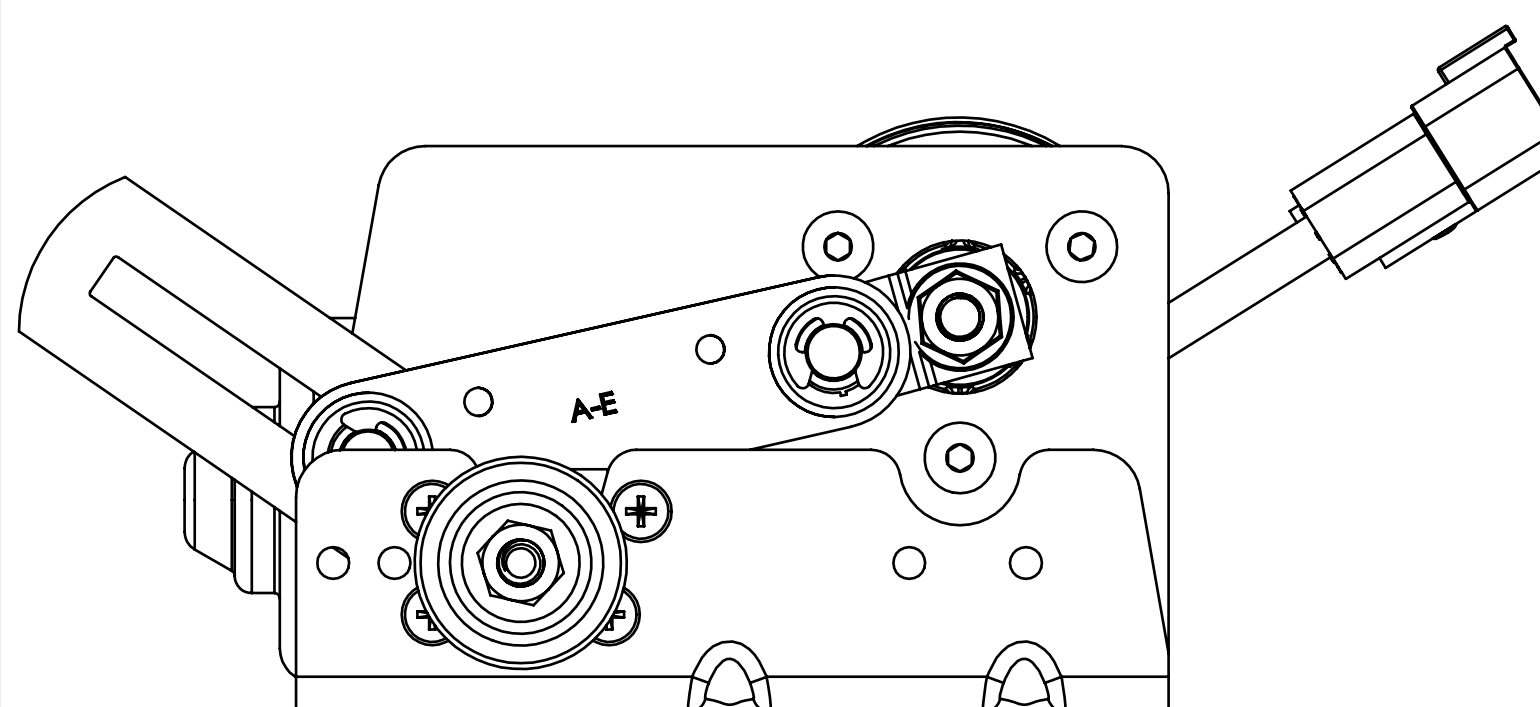
Shown at 90° angle park left



Shown without components for clarity

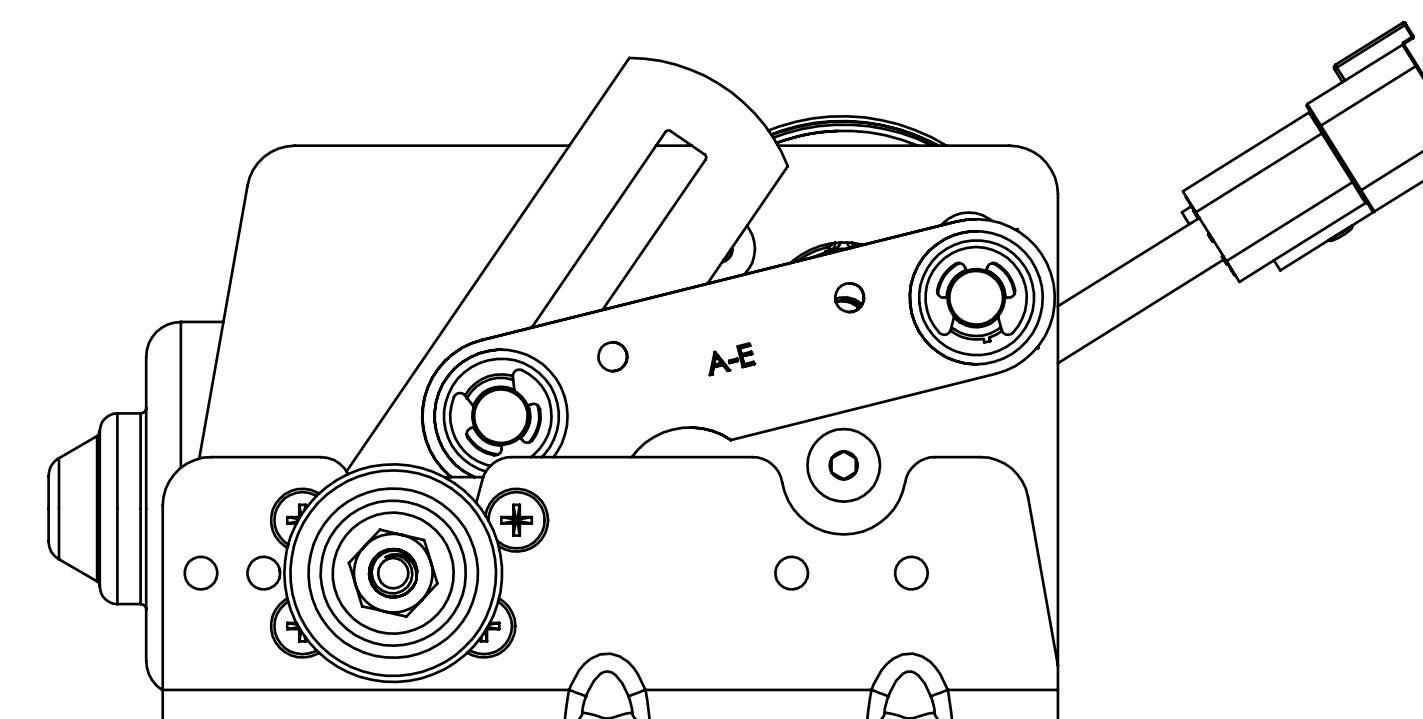


Shown at 90° angle



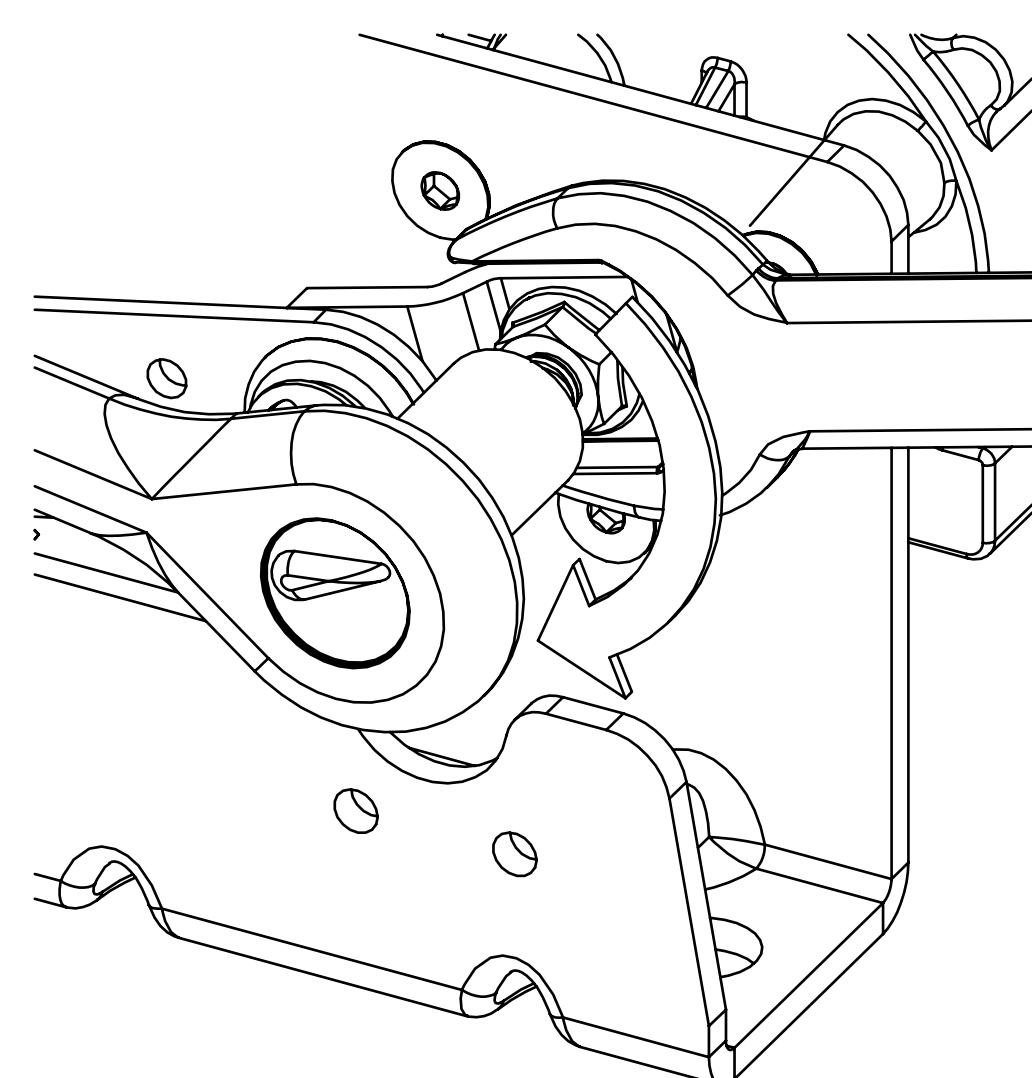
Park Left

Shown at 90° angle

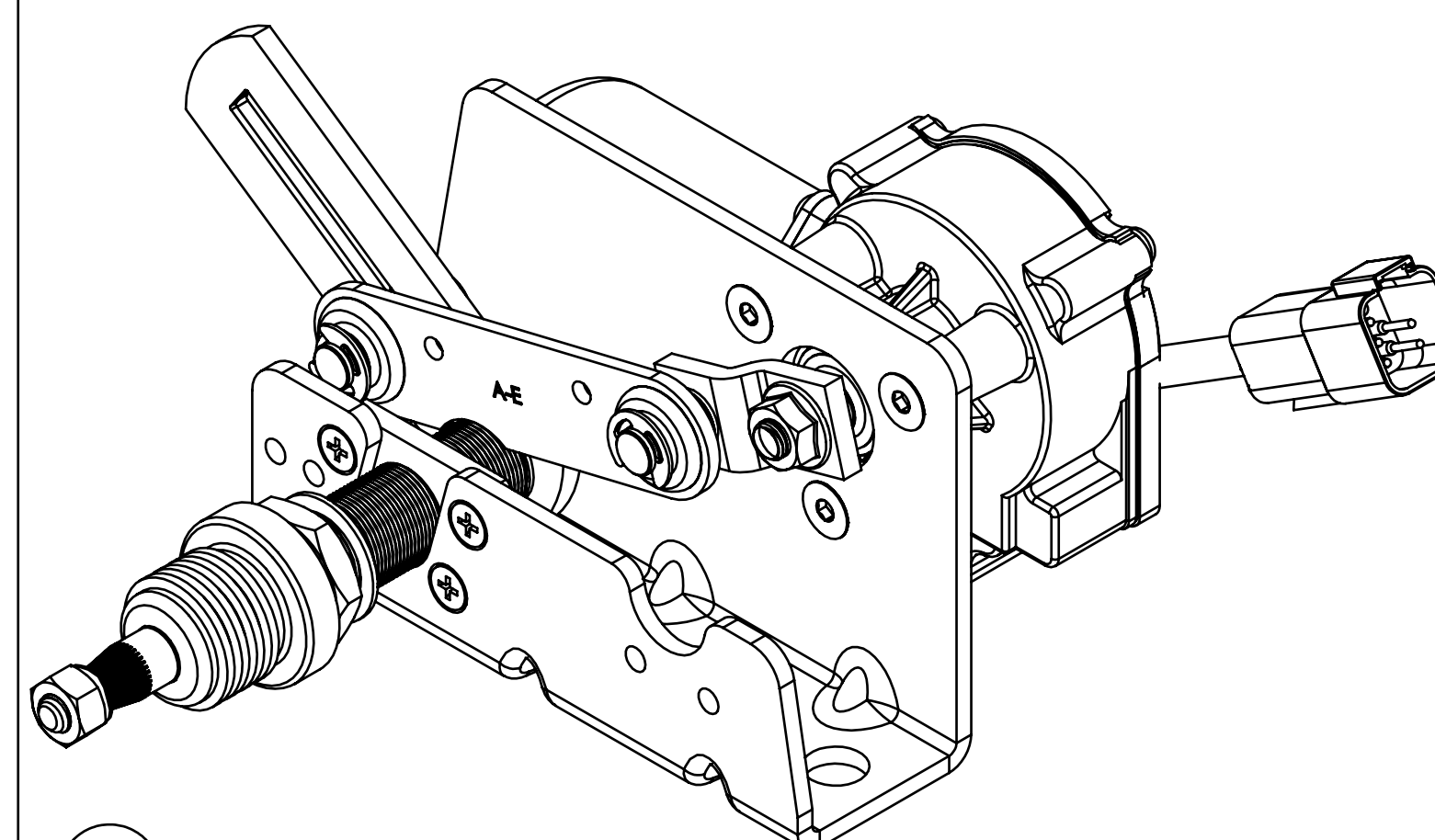


Park Right

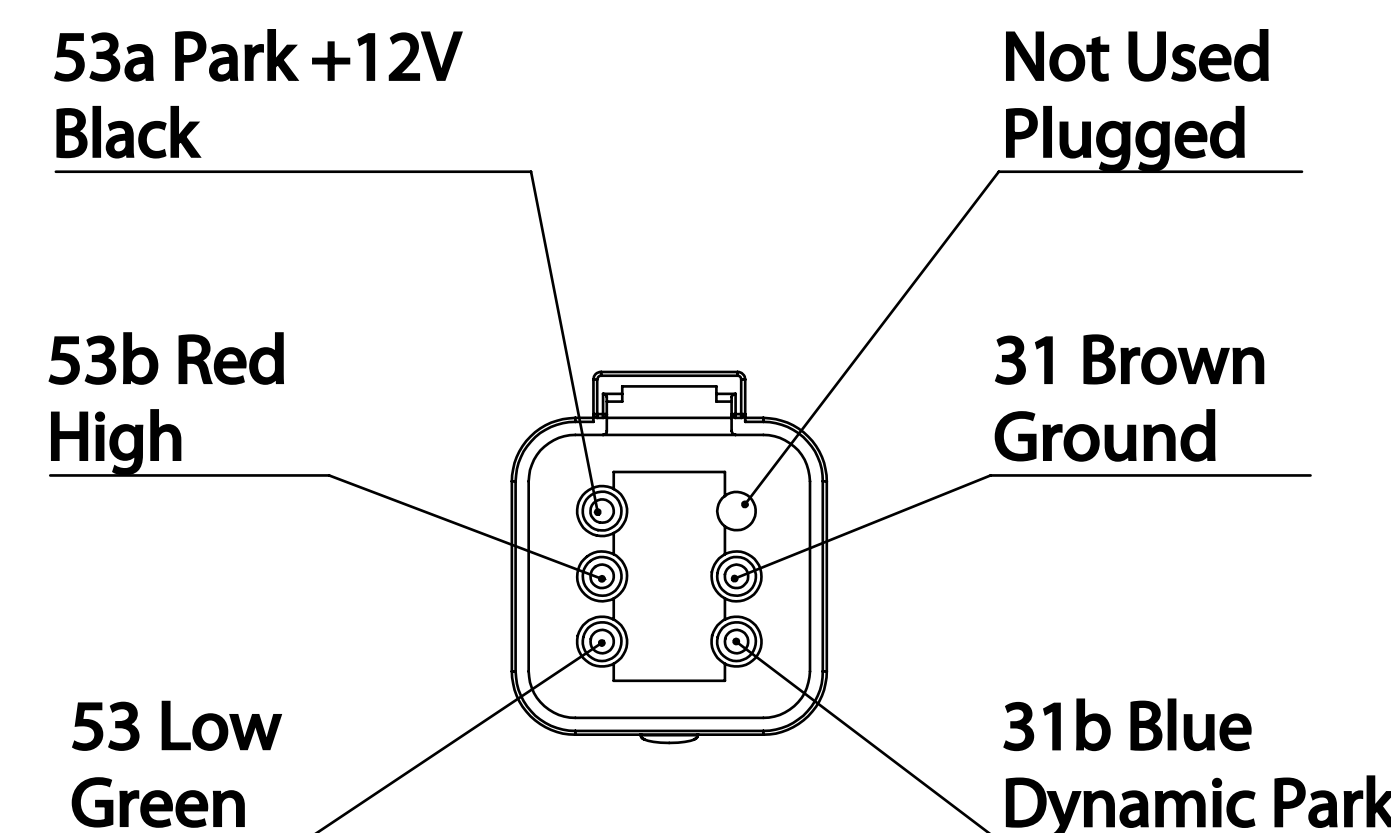
Shown without components for clarity



Shown at 90° angle park left



Connector Detail



1

2

3

4

5

6

7

8

9