

4R Marine Wiper Motor

- 2 Speed
- Drives arms and blades to 23"/600mm
- CE certified
- Sweep angles of 40, 50, 60, 70, 80, 90, 100 or 110 degrees are available or can be adjusted to desired angle in the field.



SHAFT CONSTRUCTION: Stainless steel w/brass housing

SHAFT LENGTHS: 1.5", 2.5" or 3.5"

SHAFT TYPE: 1/2" drum

LOW SPEED: 35 sweeps/minute

HIGH SPEED: 55 sweeps/minute

MOTOR VOLTAGE: 12v or 24v

GROUNDING: Isolated, white wire

FUSING: 12A for 12v / 7A for 24v

WIRE INSULATION: Red=Park, Green=Low Speed, White=Ground, Blue=High Speed

WIRING: 16AWG, 12" leads

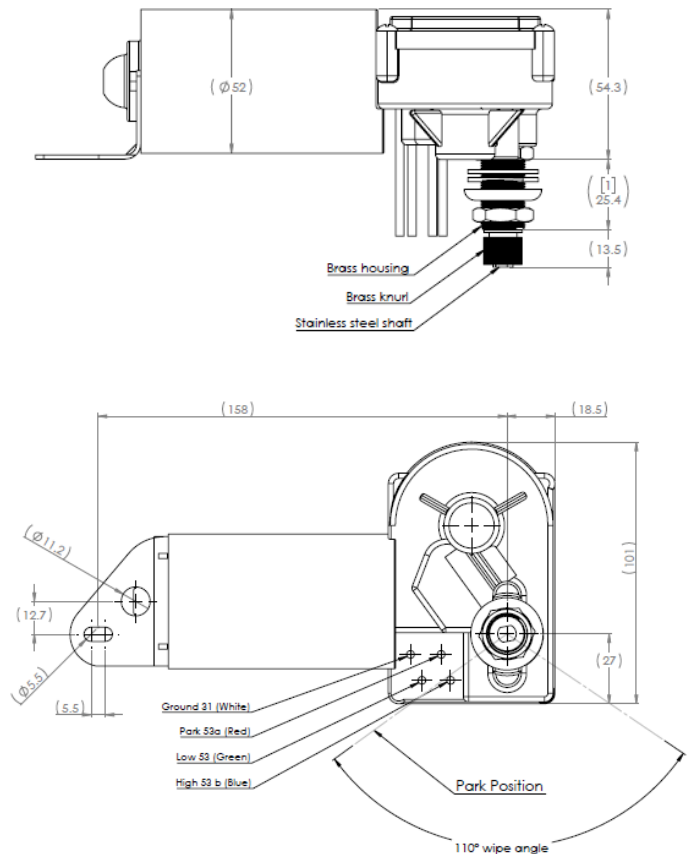
PARK CIRCUITRY: Coast to park

PARK POSITIONS: Adjustable, left or right

CASE: Powder coated, white or black

WEIGHT: 1.1Kg / 2.4lb

PACKAGING: Individually boxed



www.wexcoind.com

customerservice@wexcoind.com

WEXCO Industries
3 Barnet Road
Pine Brook, New Jersey 07058

(800) 528-3048

200811r1



WELDALL MFG., INC.
CERTIFIED TO ISO 9001:2015
1000111



Association of
Equipment Manufacturers

4R WW Motor Part Numbers

| PART NUMBER | SHAFT LENGTH | VOLTAGE | CASE COLOR |
|----------------|--------------|---------|------------|
| 4R1.12.R110CE | 1.5" | 12v | WHITE |
| 4R2.12.R110CE | 2.5" | 12v | WHITE |
| 4R3.12.R110CE | 3.5" | 12v | WHITE |
| 4R1.24.R110CE | 1.5" | 24v | WHITE |
| 4R2.24.R110CE | 2.5" | 24v | WHITE |
| 4R3.24.R110CE | 3.5" | 24v | WHITE |
| 4R1.12.R110CEB | 1.5" | 12v | BLACK |
| 4R2.12.R110CEB | 2.5" | 12v | BLACK |
| 4R3.12.R110CEB | 3.5" | 12v | BLACK |
| 4R1.24.R110CEB | 1.5" | 24v | BLACK |
| 4R2.24.R110CEB | 2.5" | 24v | BLACK |
| 4R3.24.R110CEB | 3.5" | 24v | BLACK |

Sweep angle adjustment and park position instructions are available online
www.wexcoind.com

To specify preset left hand park instead of right hand park:

Change "R" in part number to "L"

Example: 4A1.12.L110CE

To specify a preset sweep angle:

Change "110" in part number to desired angle. 40 - 110 degree angle available in 10 degree increments

Example: For 90 degrees, 4A1.12.R90CE

www.wexcoind.com
customerservice@wexcoind.com

WEXCO Industries
 3 Barnet Road
 Pine Brook, New Jersey 07058

(800) 528-3048

200811r1



WELBALL MFG., INC.
 CERTIFIED TO ISO 9001:2015
 1000111

