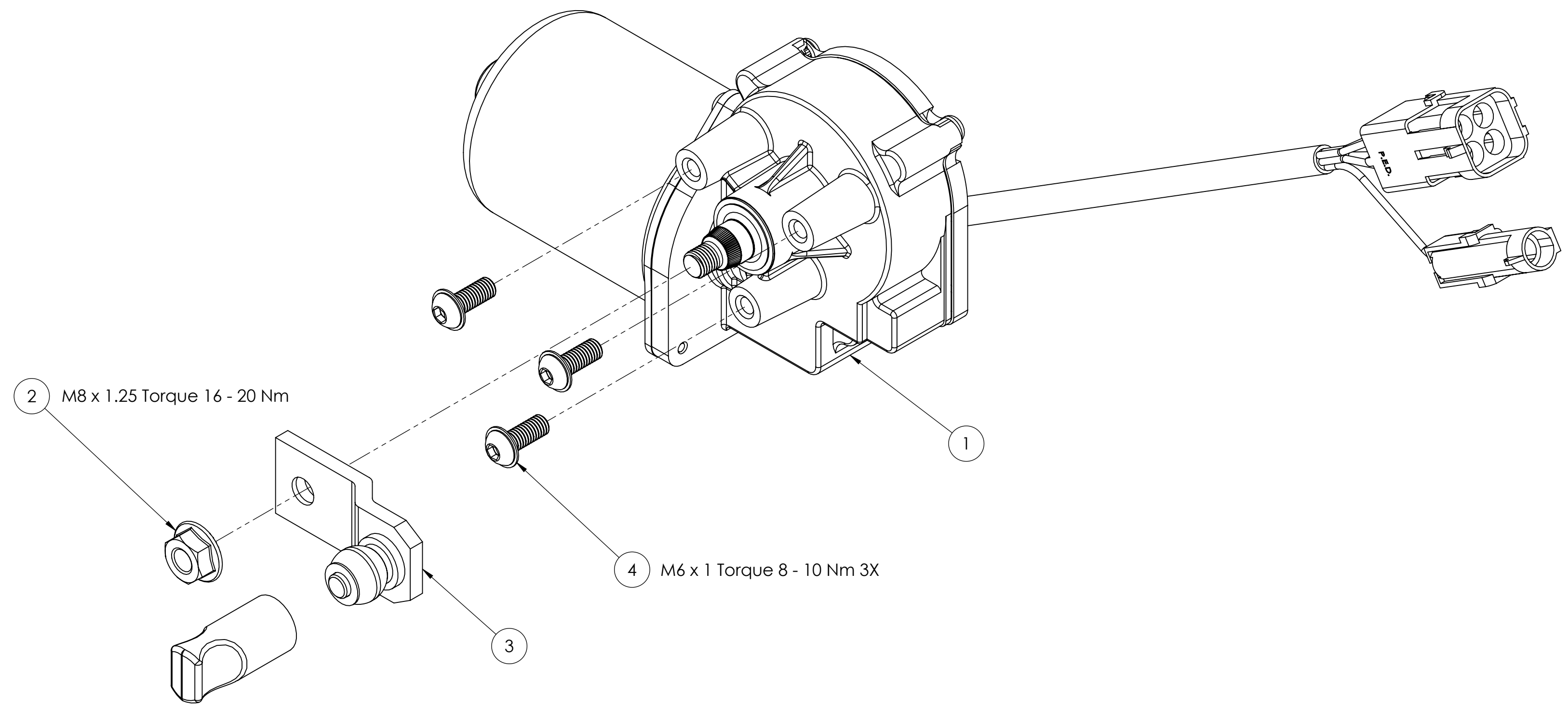
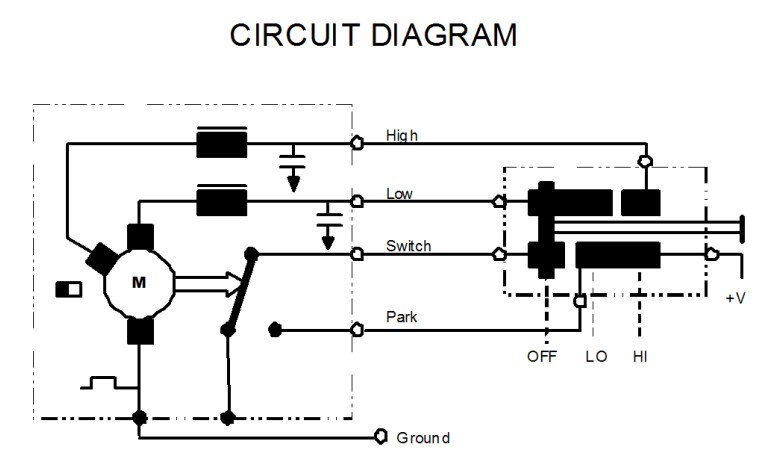


REV	DATE	ECR	DESCRIPTION
A	10-30-14	-	Initial Release
B	04-27-15	297	1999-3110021 was D110

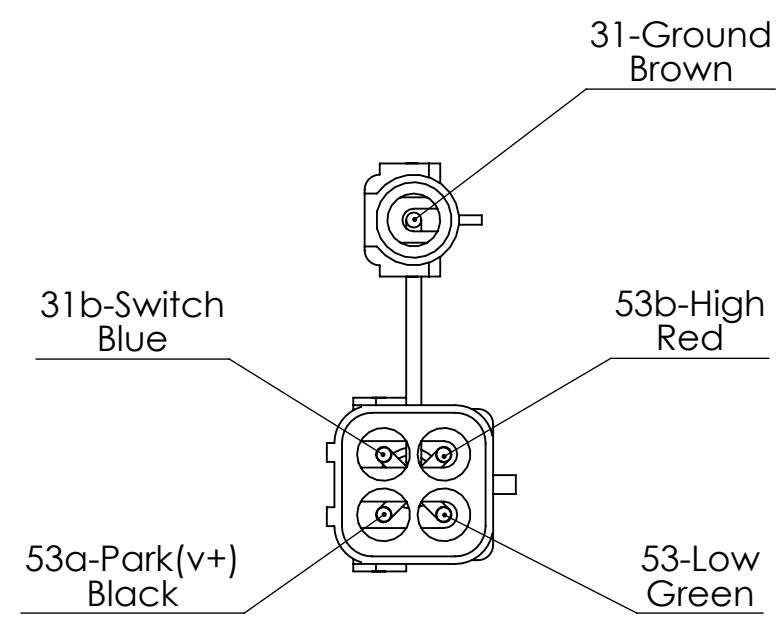


2 M8 x 1.25 Torque 16 - 20 Nm

4 M6 x 1 Torque 8 - 10 Nm 3X



CIRCUIT DIAGRAM



DETAIL C SCALE 1:1

NO.	PART NUMBER	DESCRIPTION	QTY.
1	1999-311021	32Nm Dynamic Park Motor	1
2	400200	M8x1.25 8mm SeratFlingNut	1
3	88300	Crank As'y LE25WH(1.529cc)	1
4	106800	M6x1 Button Head Screw w/ Lock Washer	3

**PROPRIETARY AND CONFIDENTIAL**  
 THE INFORMATION CONTAINED IN THIS DRAWING IS THE SOLE PROPERTY OF WEXCO INDUSTRIES. ANY REPRODUCTION IN PART OR AS A WHOLE WITHOUT THE WRITTEN PERMISSION OF WEXCO INDUSTRIES IS PROHIBITED.

UNLESS OTHERWISE SPECIFIED:	NAME	DATE
DIMENSIONS ARE IN MM	DRAWN	JP 10-30-14
3rd ANGLE PROJECTION	CHECKED	JH 12-18-14
	ENG APPR.	JH 12-18-14
INTERPRET GEOMETRIC TOLERANCING PER: ISO 2768-1 M MATERIAL	COMMENTS:	
FINISH		
APPLICATION		

**WEXCO INDUSTRIES**

TITLE: All Makes Motor

SIZE	DWG. NO.	REV
<b>C</b>	AX9109	<b>B</b>

SCALE: 1:1 WEIGHT: SHEET 1 OF 1