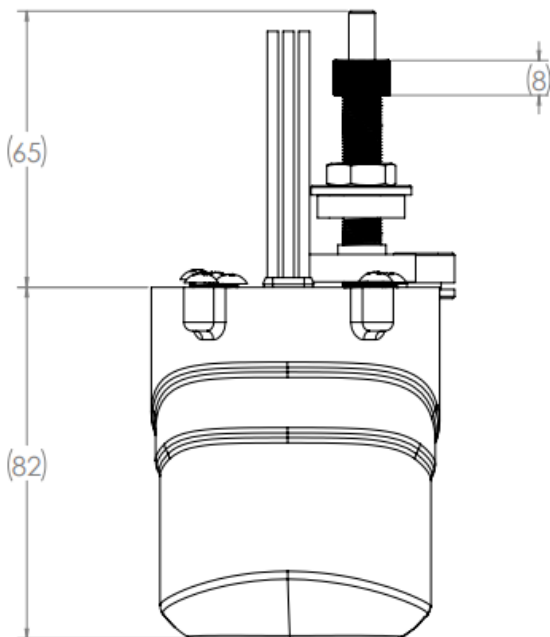




## Light Duty Motor Kit

- Single Speed
- CE certified
- Drives up to 14" / 350mm radial arms and blades
- Sweep angles of 80 or 110 degrees. Kit ships pre-set to 110 degrees and is adjustable.
- Adjustable park position, left or right
- 64mm x 110mm motor case can be installed in small spaces



### Recommended for

- Marine
- ATV / UTV
- Side by side
- Material handling vehicles

**MOTOR TORQUE:** 8Nm

**VOLTAGE:** 12v or 24v configurations are available

**SWEEP ANGLE:** 110 degrees standard, adjustable to 80 degrees

**SPEED:** 54 sweeps per minute

**PARK CIRCUITRY:** coast to park

**PARK POSITION:** Adjustable, left or right

**SHAFT LENGTH:** 1" pinch bolt

**GROUNDING:** isolated, ground wire

**FUSING:** 3 amps min.

**MOTOR CASE:** aluminum, IP65, UV resistant  
White case is standard, black case available upon request.

**ARM:** Adjustable length radial, 13" - 18"

**Blade:** 11" metal framed

[www.wexcoind.com](http://www.wexcoind.com)

[customerservice@wexcoind.com](mailto:customerservice@wexcoind.com)

WEXCO Industries  
3 Barnet Road  
Pine Brook, New Jersey 07058

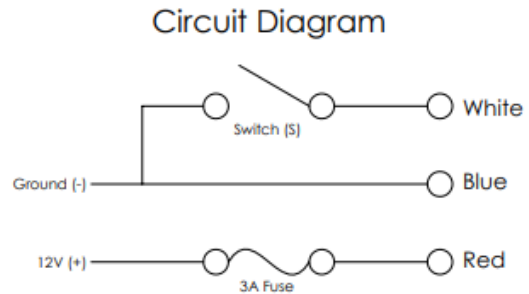
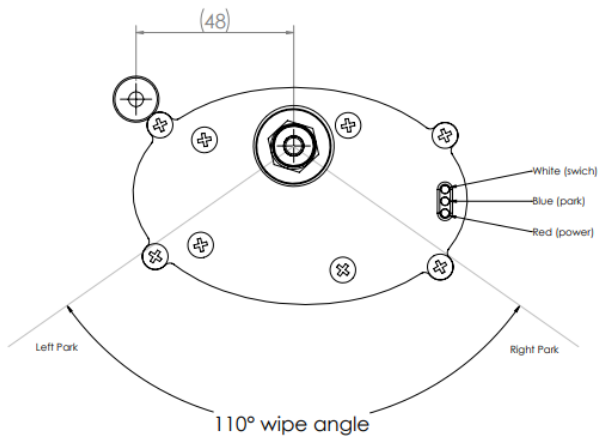
(800) 528-3048

2001215r1



WELDALL MFG., INC.  
CERTIFIED TO ISO 9001:2015  
1000111





### LIGHT DUTY MOTOR KITS

PART NUMBER	DESCRIPTION	SHAFT TYPE	SHAFT LENGTH	VOLTAGE	CASE COLOR
SQ112110SSK	kit w/motor, arm & blade, preset to 110 degrees	pin	1/4"	12 V	white
SQ124110SSK	kit w/motor, arm & blade, preset to 110 degrees	pin	1/4"	24 V	white
SQ112080SSK	kit w/motor, arm & blade, preset to 80 degrees	pin	1/4"	12 V	white
SQ124080SSK	kit w/motor, arm & blade, preset to 80 degrees	pin	1/4"	24 V	white
SQ112110SSKB	kit w/motor, arm & blade, preset to 110 degrees	pin	1/4"	12 V	black
SQ124110SSKB	kit w/motor, arm & blade, preset to 110 degrees	pin	1/4"	24 V	black
SQ112080SSKB	kit w/motor, arm & blade, preset to 80 degrees	pin	1/4"	12 V	black
SQ124080SSKB	kit w/motor, arm & blade, preset to 80 degrees	pin	1/4"	24 V	black

### KIT REPLACEMENT COMPONENTS

PART NUMBER	DESCRIPTION	SHAFT TYPE	SHAFT LENGTH	VOLTAGE	CASE COLOR
SQ112110SS	motor only, preset to 110 degrees	pin	1/4"	12 V	white
SQ124110SS	motor only, preset to 110 degrees	pin	1/4"	24 V	white
SQ112080SS	motor only, preset to 80 degrees	pin	1/4"	12 V	white
SQ124080SS	motor only, preset to 80 degrees	pin	1/4"	24 V	white
SQ112110SSB	motor only, preset to 110 degrees	pin	1/4"	12 V	black
SQ124110SSB	motor only, preset to 110 degrees	pin	1/4"	24 V	black
SQ112080SSB	motor only, preset to 80 degrees	pin	1/4"	12 V	black
SQ124080SSB	motor only, preset to 80 degrees	pin	1/4"	24 V	black
201201	arm only, 13"-18" / 330mm-450mm	n/a	n/a	n/a	n/a
201202	blade only, 11" / 280mm	n/a	n/a	n/a	n/a

**www.wexcoind.com**  
customerservice@wexcoind.com

WEXCO Industries  
3 Barnet Road  
Pine Brook, New Jersey 07058

(800) 528-3048

2001215r1

