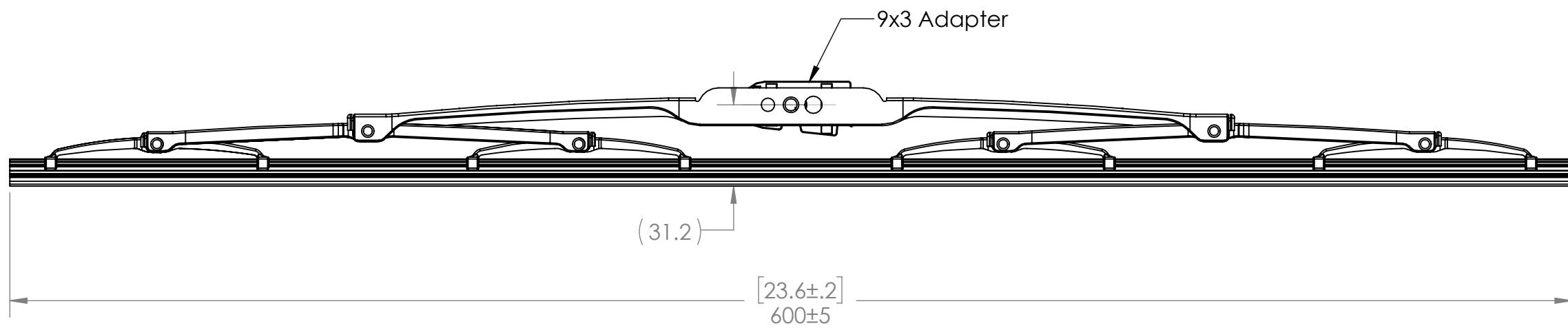
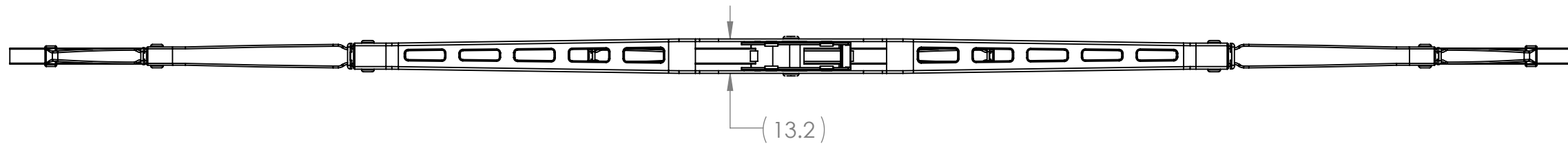


REV	DATE	DESCRIPTION
A	8-10-10	ECR 380 Release



UNLESS OTHERWISE SPECIFIED:		NAME	DATE
DIMENSIONS ARE IN MM TOLERANCES PER ISO 2768-1 CLASS M 3rd ANGLE PROJECTION	DRAWN	DP	8-10-18
	CHECKED	JH	8-15-18
	ENG APPR.	JH	8-15-18
INTERPRET GEOMETRIC TOLERANCING PER: ISO 2768-1 M		COMMENTS:	
MATERIAL 300 Series Stainless Steel			
FINISH Black Powder Coat			
APPLICATION			



TITLE: 24" Marine Wiper Blade		
SIZE B	DWG. NO. 0166524SSM	REV A
SCALE:	WEIGHT:	SHEET 1 OF 1

PROPRIETARY AND CONFIDENTIAL
THE INFORMATION CONTAINED IN THIS DRAWING IS THE SOLE PROPERTY OF WEXCO INDUSTRIES. ANY REPRODUCTION IN PART OR AS A WHOLE WITHOUT THE WRITTEN PERMISSION OF WEXCO INDUSTRIES IS PROHIBITED.