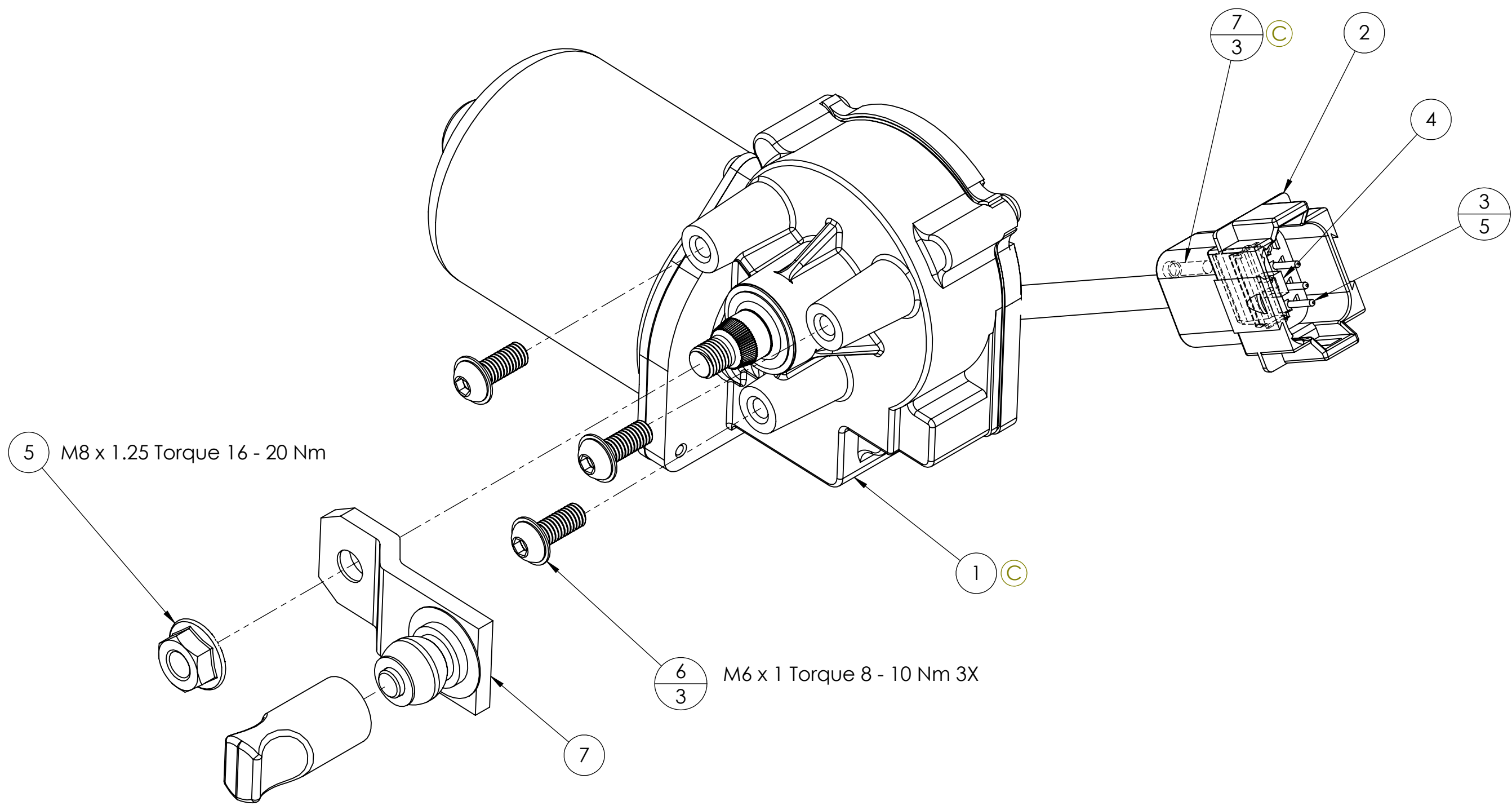
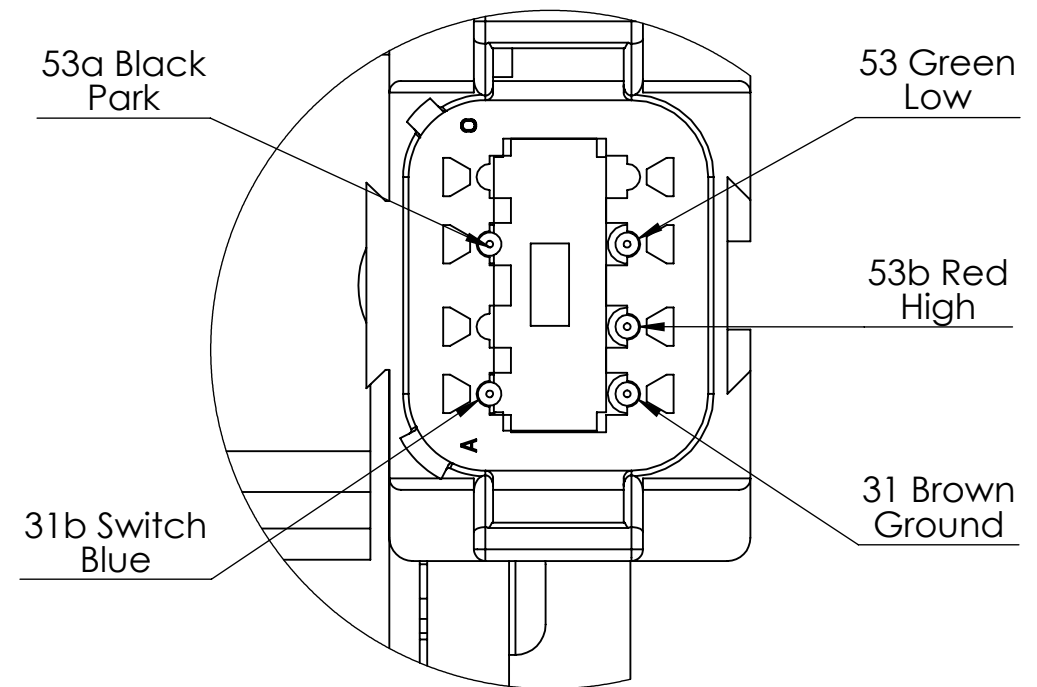


REV	DATE	ECR	DESCRIPTION
A	12-04-14	-	Initial Release
B	4-24-15	297	105715 was D103
C	11-18-22	449	1999-3110021 was 105715, added 114017 callout

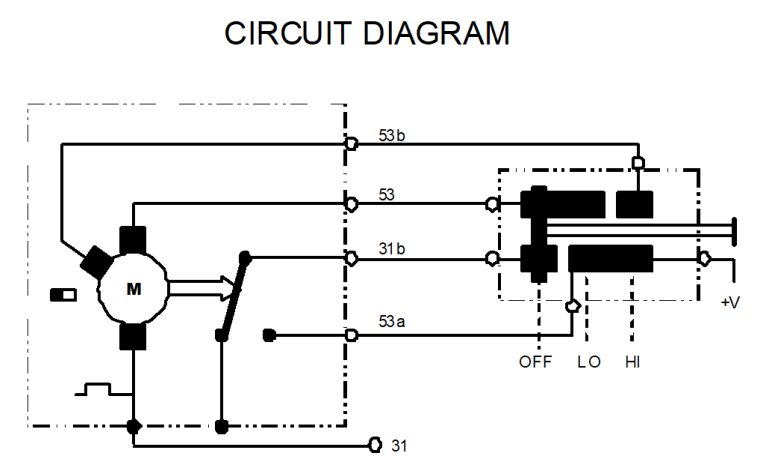


5 M8 x 1.25 Torque 16 - 20 Nm

6 M6 x 1 Torque 8 - 10 Nm 3X



**CONNECTOR DETAIL  
2:1**



NO.	PART NUMBER	DESCRIPTION	QTY.
1	1999-3110021	12V 32Nm Dynamic Park Motor	1
2	6910106	Connector #6 Vendor #DT04-08PA	1
3	6920106	Pin Vendor #1060-16-1022	5
4	6950106	Lock Vendor #W8P	1
5	400200	M8x1.25 8mm SeratFIngNut	1
6	106800	M6x1 Button Head Screw w/ Lock Washer	3
7	114017	Sealing Plug	3
8	88300	Crank As'y (1.529cc)	1

UNLESS OTHERWISE SPECIFIED:		NAME	DATE
DIMENSIONS ARE IN MM	DRAWN	JP	12-04-14
3rd ANGLE PROJECTION	CHECKED	JH	12-18-14
	ENG APPR.	JH	12-18-14
INTERPRET GEOMETRIC TOLERANCING PER: ISO 2768-1 M MATERIAL		COMMENTS:	
FINISH			
APPLICATION			

**WEXCO INDUSTRIES**

TITLE: All Makes Motor

SIZE DWG. NO. REV  
**C** AX9207 **C**

SCALE: 1:1 WEIGHT: SHEET 1 OF 1

**PROPRIETARY AND CONFIDENTIAL**  
 THE INFORMATION CONTAINED IN THIS DRAWING IS THE SOLE PROPERTY OF WEXCO INDUSTRIES. ANY REPRODUCTION IN PART OR AS A WHOLE WITHOUT THE WRITTEN PERMISSION OF WEXCO INDUSTRIES IS PROHIBITED.