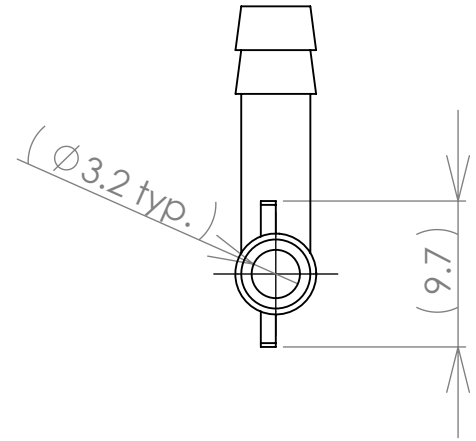
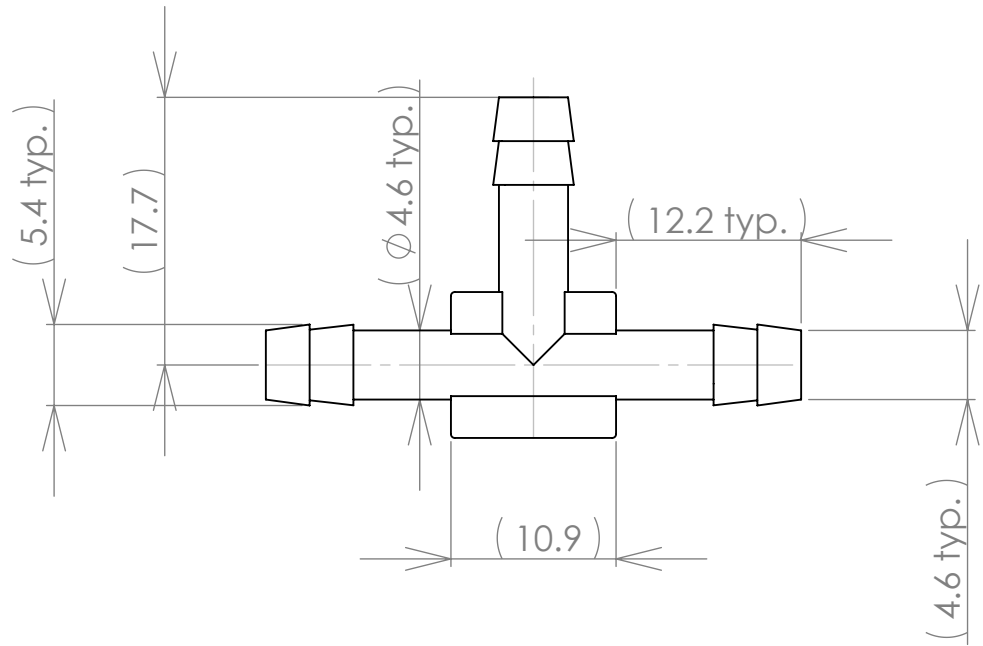


scale: 1:1



REV	DATE	DESCRIPTION	UNLESS OTHERWISE SPECIFIED:	NAME	DATE	<b>WEXCO Industries</b>	
A	4-08-08	Initial release	DIMENSIONS ARE IN MM	DRAWN	MP	4-08-08	TITLE:  T-fitting
			3rd ANGLE PROJECTION	CHECKED	MP	4-08-08	
				ENG APPR.	MP	4-08-08	
			INTERPRET GEOMETRIC TOLERANCING PER: ISO 2768-1 M	COMMENTS:			SIZE DWG. NO. REV <b>A</b> 19482 A SCALE: 2:1 WEIGHT: SHEET 1 OF 1
			MATERIAL nylon	<b>PROPRIETARY AND CONFIDENTIAL</b> THE INFORMATION CONTAINED IN THIS DRAWING IS THE SOLE PROPERTY OF WEXCO INDUSTRIES. ANY REPRODUCTION IN PART OR AS A WHOLE WITHOUT THE WRITTEN PERMISSION OF WEXCO INDUSTRIES IS PROHIBITED.			
			FINISH				
			APPLICATION				