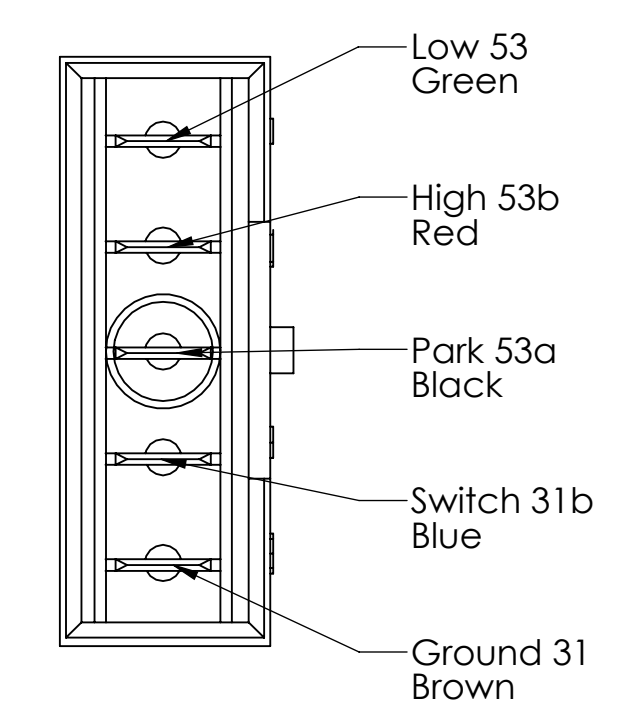
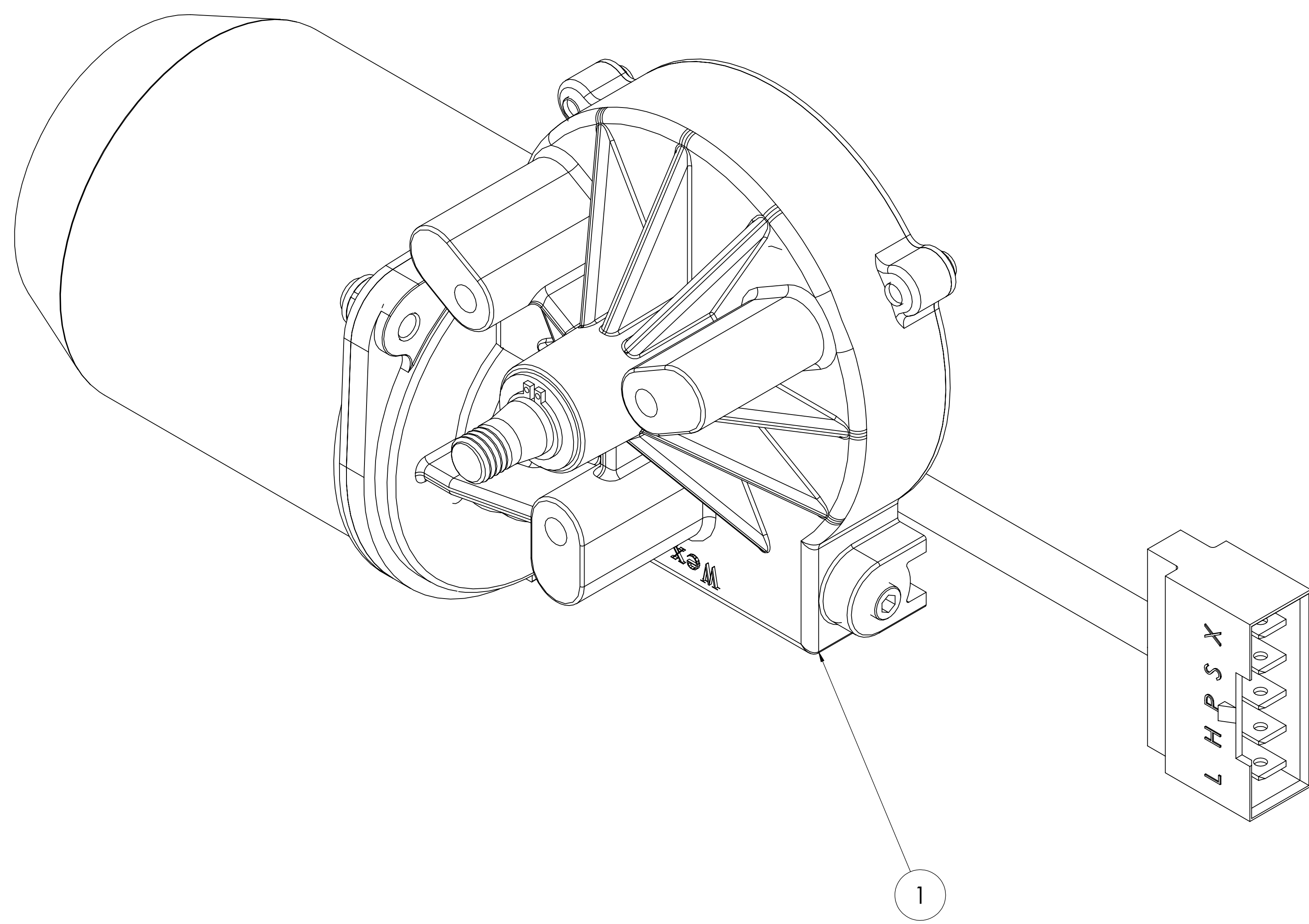
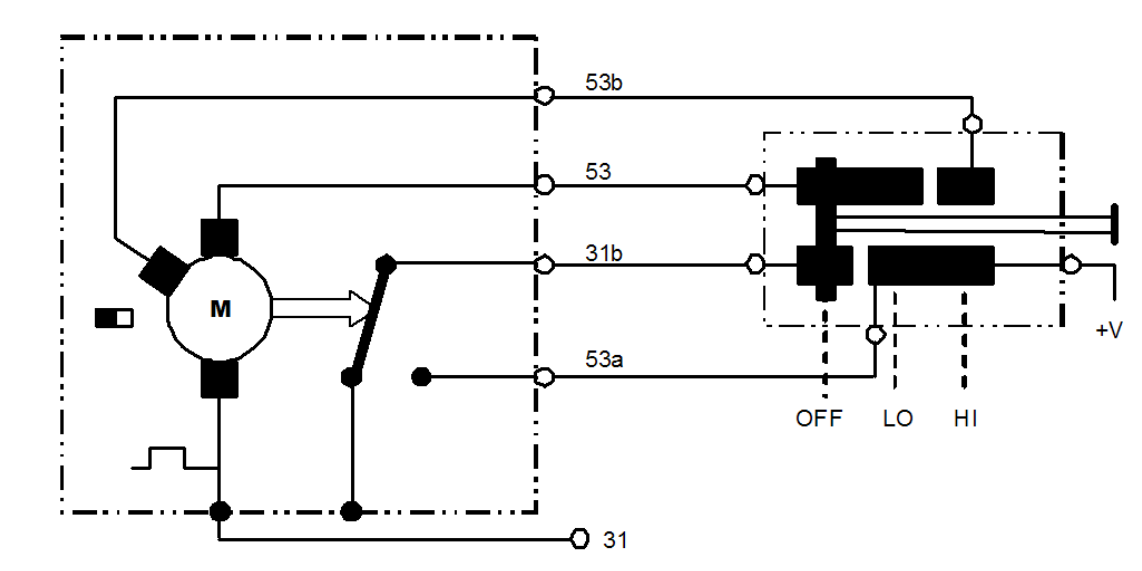


REV	DATE	ECR	DESCRIPTION
A	12-12-14	-	Initial Release



DETAIL A
SCALE 2 : 1

CIRCUIT DIAGRAM



ITEM NO.	PART NUMBER	DESCRIPTION	QTY.
1	411.01100.3212	D101/32 NM Dyn Motor 12V W	1

<small>UNLESS OTHERWISE SPECIFIED: DIMENSIONS ARE IN MM TOLERANCES PER ISO 2768-1 CLASS M 3RD ANGLE PROJECTION</small>	NAME	DATE
	DRAWN JP	12-12-14
	CHECKED JH	12-18-14
	ENG APPR. JH	12-18-14
<small>PROPRIETARY AND CONFIDENTIAL THE INFORMATION CONTAINED IN THIS DRAWING IS THE SOLE PROPERTY OF WEXCO INDUSTRIES. ANY REPRODUCTION IN PART OR AS A WHOLE WITHOUT THE WRITTEN PERMISSION OF WEXCO INDUSTRIES IS PROHIBITED.</small>	<small>INTERPRET GEOMETRIC TOLERANCING PER: MATERIAL FINISH APPLICATION</small>	<small>COMMENTS:</small>

WEXCO INDUSTRIES		
TITLE: All Makes Motor		
SIZE: D	PART NO. AX9112	REV A
SCALE: 1:1	WEIGHT:	SHEET 1 OF 1