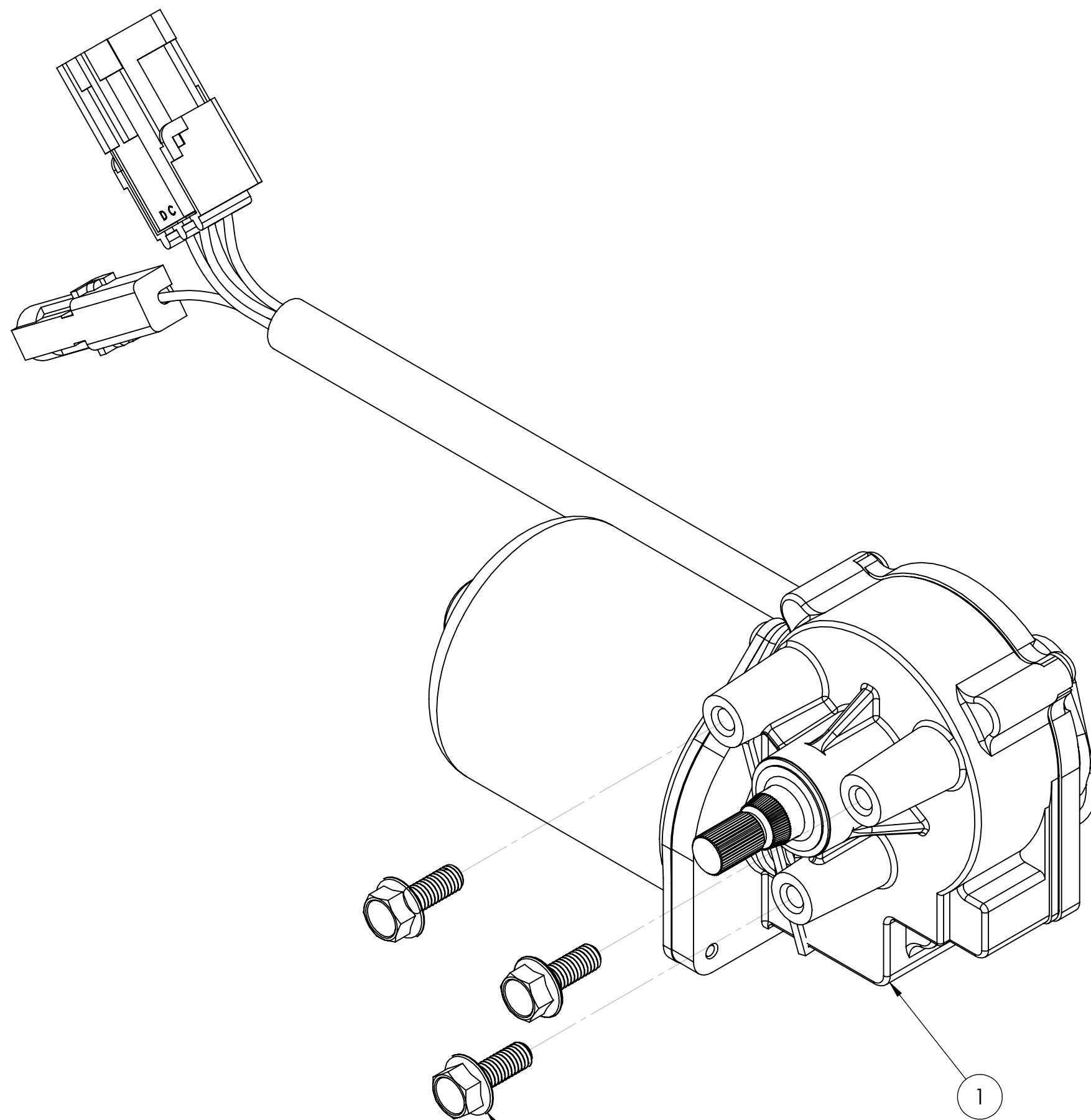
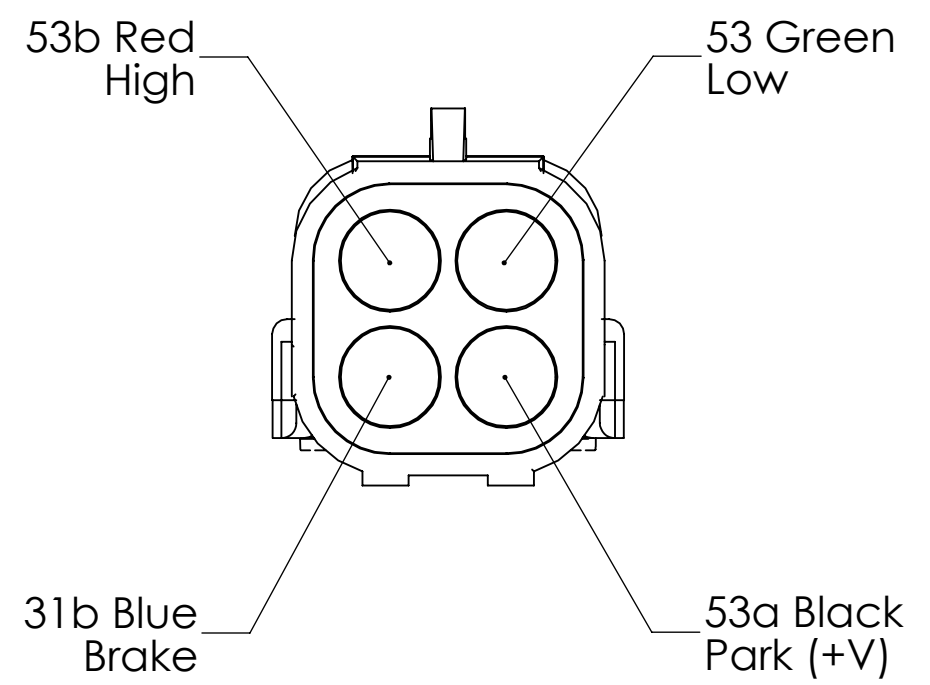
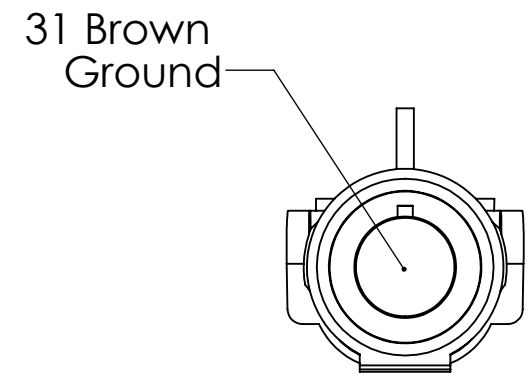


REV	DATE	ECR	DESCRIPTION
A	10-27-14	-	Initial Release

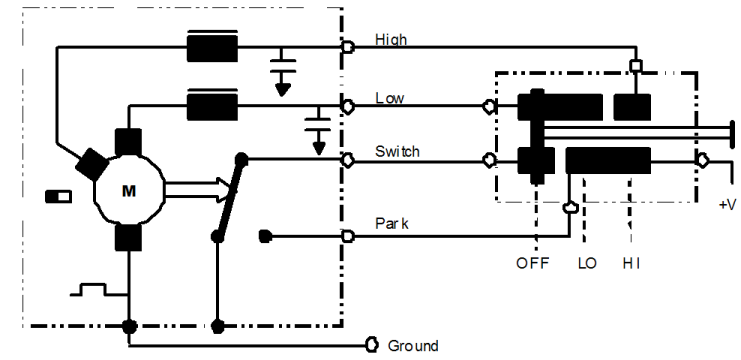


2 M6 x 1 Torque 8 - 10 Nm



CONNECTOR DETAIL 2:1

CIRCUIT DIAGRAM



ITEM NO.	PART NUMBER	DESCRIPTION	QTY.
1	102513	Motor 102513 MO25WJ/63QT521M	1
2	400210	6mm Flange Hex Screw Long	3

UNLESS OTHERWISE SPECIFIED:	NAME	DATE
DIMENSIONS ARE IN MM	DRAWN JP	10-27-14
3rd ANGLE PROJECTION	CHECKED JH	10-28-14
	ENG APPR. JH	10-28-14



PROPRIETARY AND CONFIDENTIAL
THE INFORMATION CONTAINED IN THIS DRAWING IS THE SOLE PROPERTY OF WEXCO INDUSTRIES. ANY REPRODUCTION IN PART OR AS A WHOLE WITHOUT THE WRITTEN PERMISSION OF WEXCO INDUSTRIES IS PROHIBITED.

INTERPRET GEOMETRIC TOLERANCING PER: ISO 2768-1 M MATERIAL	COMMENTS:
FINISH	
APPLICATION	

TITLE: All Makes Motor		
SIZE C	DWG. NO. AX9103	REV A
SCALE: 1:1	WEIGHT:	SHEET 1 OF 1