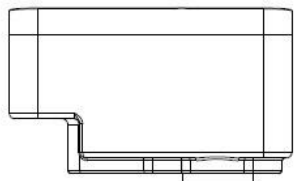
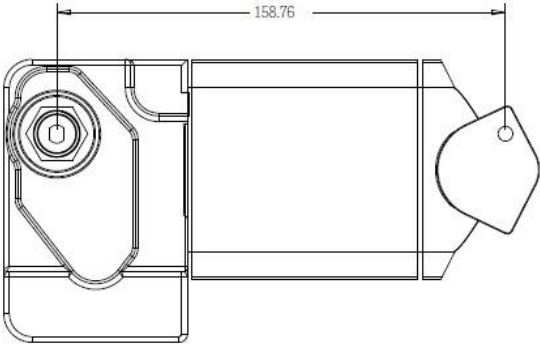
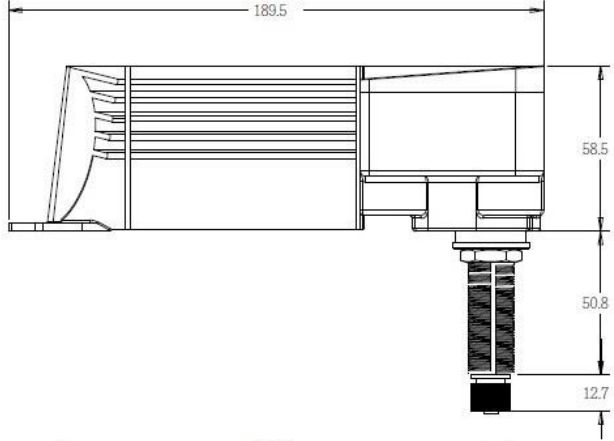
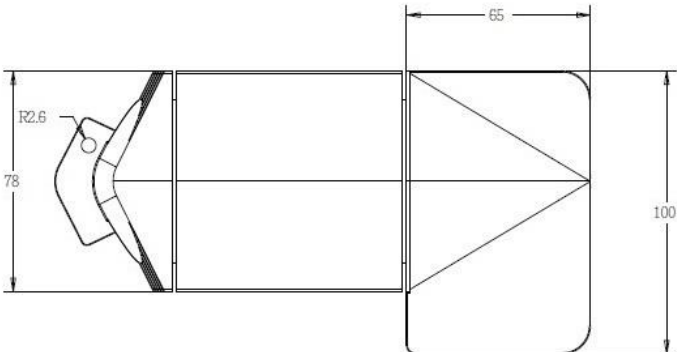


# 4A Series Motor



M16X1.0  
 72 teeth 60°  
 $\Phi$  13.85 OD  
 $\Phi$  12.87 OR  
 tooth depth 0.48mm

