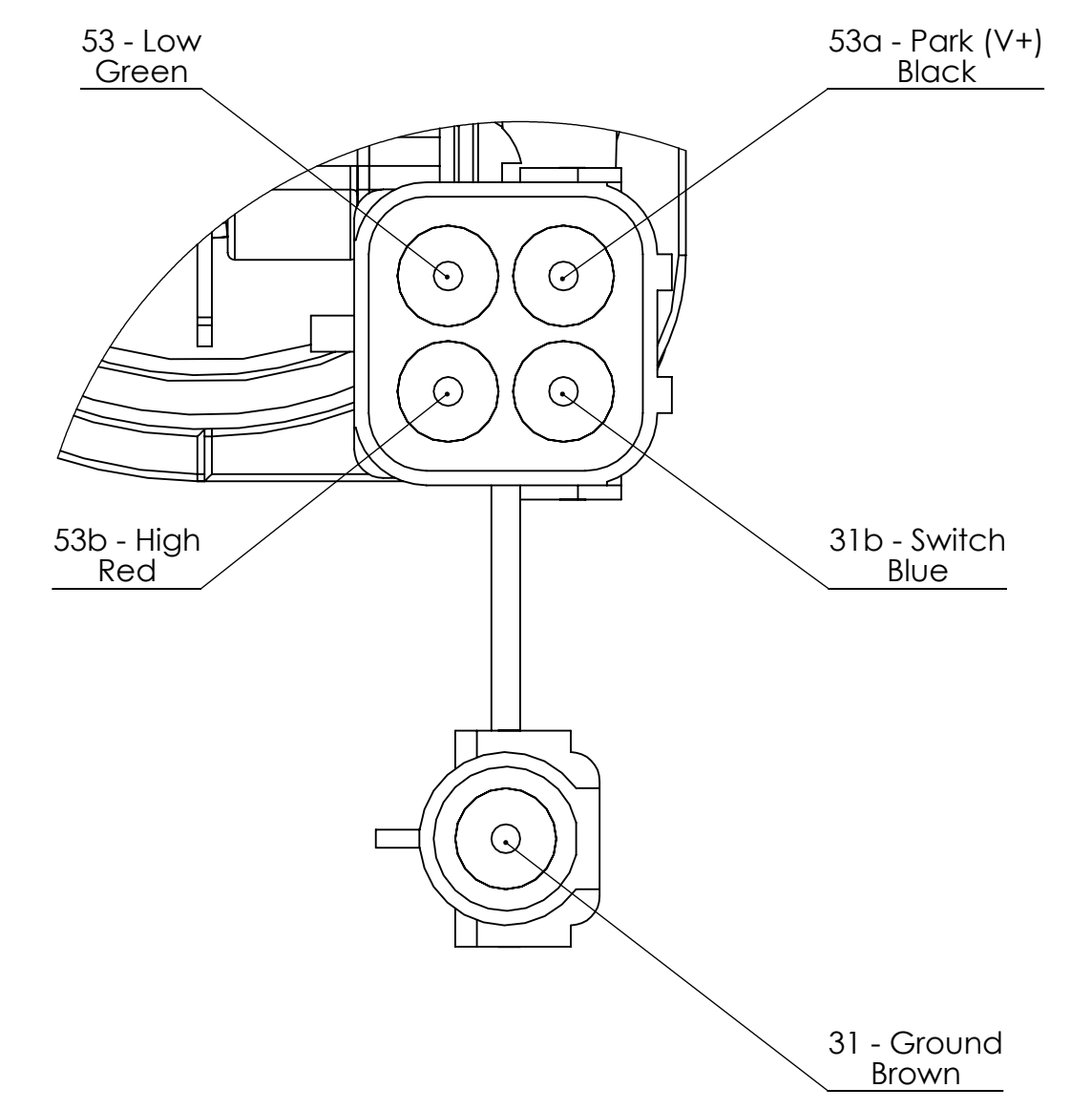
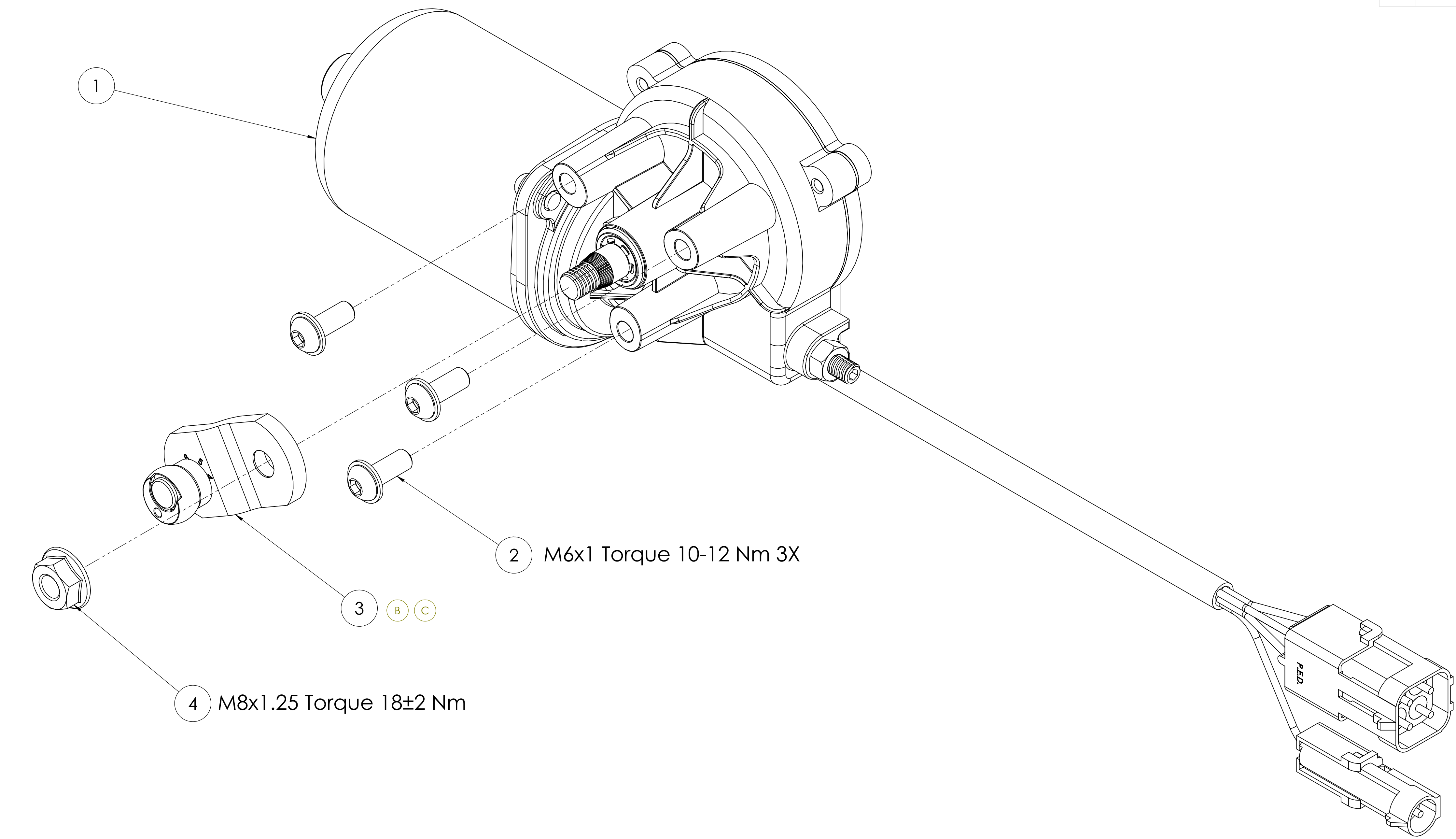


REV	DATE	DESCRIPTION
A	2-14-12	Initial Release
B	2-14-12	Crank was 200190
C	12-18-14	Crank was CR12102001



Connector Detail
Scale 2:1

POS.	QTY.	PART NO.	DESCRIPTION
4	1	400200	M8x1.25 Flanged Hex Nut
3	1	CR12102002	16mm Ball Crank Assembly, R =26.8mm
2	1	106800	M6x1 Button Head Screw
1	1	411.01301.2812W	H134W 12V 28Nm Dynamic Park Motor

NAME	DATE
DRAWN JH	2-12-14
CHECKED MP	2-12-14
ENG APPR. MP	2-12-14

<small>UNLESS OTHERWISE SPECIFIED: DIMENSIONS ARE IN MM TOLERANCES PER ISO 2768-1 CLASS M 3RD ANGLE PROJECTION</small>	<small>INTERPRET GEOMETRIC TOLERANCING PER: MATERIAL FINISH APPLICATION</small>	<small>COMMENTS:</small>	WEXCO INDUSTRIES TITLE: 28Nm Dynamic Park motor w/ WeatherPak Connector SIZE: D PART NO. AX9208 REV C SCALE: 1:2 WEIGHT: SHEET 1 OF 1
--	---	--------------------------	--

AX9208 rev B