

## 4R D Series Motor (Chassis Ground)

- 2 Speed
- Drives arms and blades to 23"/600mm
- CE certified
- Sweep angles of 40, 50, 60, 70, 80, 90, 100 or 110 degrees are available or can be adjusted to desired angle in the field.



**SHAFT CONSTRUCTION:** Stainless steel w/brass housing

**SHAFT LENGTHS:** 1.5", 2.5" or 3.5"

**SHAFT TYPE:** 1/2" drum

**LOW SPEED:** 35 sweeps/minute

**HIGH SPEED:** 55 sweeps/minute

**MOTOR VOLTAGE:** 12v or 24v

**GROUNDING:** Chassis ground

**FUSING:** 12A for 12v / 7A for 24v

**WIRE INSULATION:** Red=Park, Green=Low Speed, White=Ground, Blue=High Speed

**WIRING:** 16AWG, 12" leads

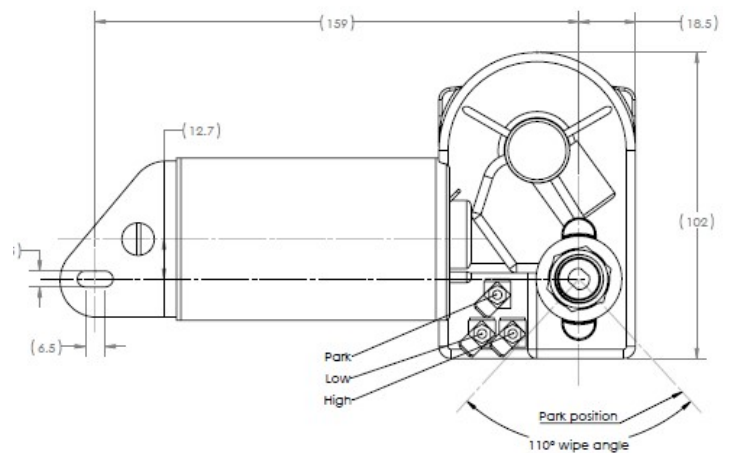
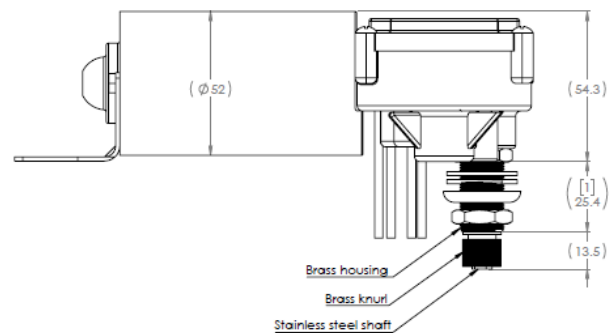
**PARK CIRCUITRY:** Coast to park

**PARK POSITIONS:** Adjustable, left or right

**CASE:** Powder coated, white or black

**WEIGHT:** 1.1Kg / 2.4lb

**PACKAGING:** Individually boxed



[www.wexcoind.com](http://www.wexcoind.com)  
[customerservice@wexcoind.com](mailto:customerservice@wexcoind.com)

WEXCO Industries  
 3 Barnet Road  
 Pine Brook, New Jersey 07058

(800) 528-3048

200811r1

