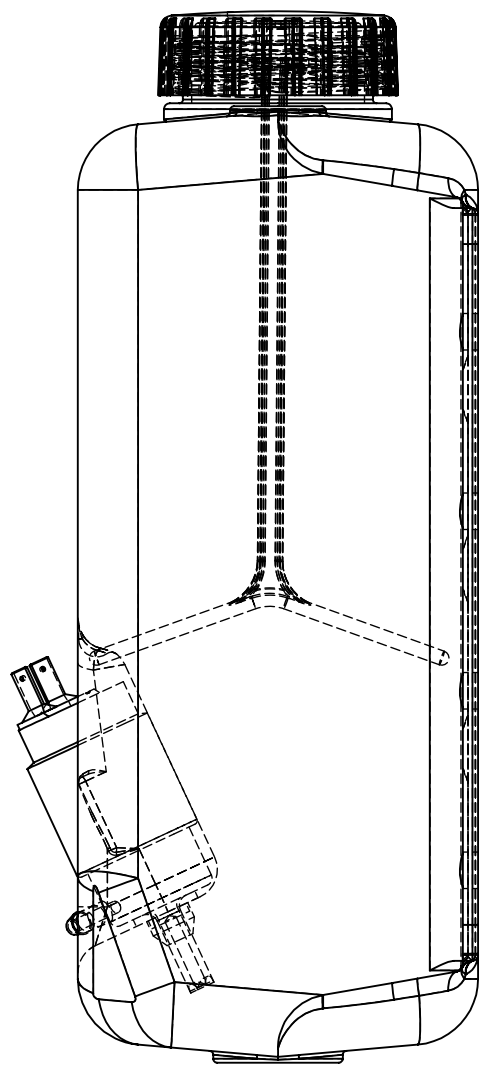


REV	DATE	ECR	DESCRIPTION
A	9-01-06		release
B	8-12-14		corrected dim's to match tool



UNLESS OTHERWISE SPECIFIED:			
DRAWN	NAME	DATE	
CHECKED			
ENG APPR.			
DIMENSIONS ARE IN MM TOLERANCES PER ISO 2768-1 CLASS M 3rd ANGLE PROJECTION			
INTERPRET GEOMETRIC TOLERANCING PER: ISO 2768-1 M MATERIAL			
FINISH			
APPLICATION			

WEXCO INDUSTRIES

TITLE:
1 gallon washer bottle 12V

SIZE	DWG. NO.	REV
B	400713	B

SCALE: 1:2 WEIGHT: SHEET 1 OF 1

PROPRIETARY AND CONFIDENTIAL
THE INFORMATION CONTAINED IN THIS DRAWING IS THE SOLE PROPERTY OF WEXCO INDUSTRIES. ANY REPRODUCTION IN PART OR AS A WHOLE WITHOUT THE WRITTEN PERMISSION OF WEXCO INDUSTRIES IS PROHIBITED.