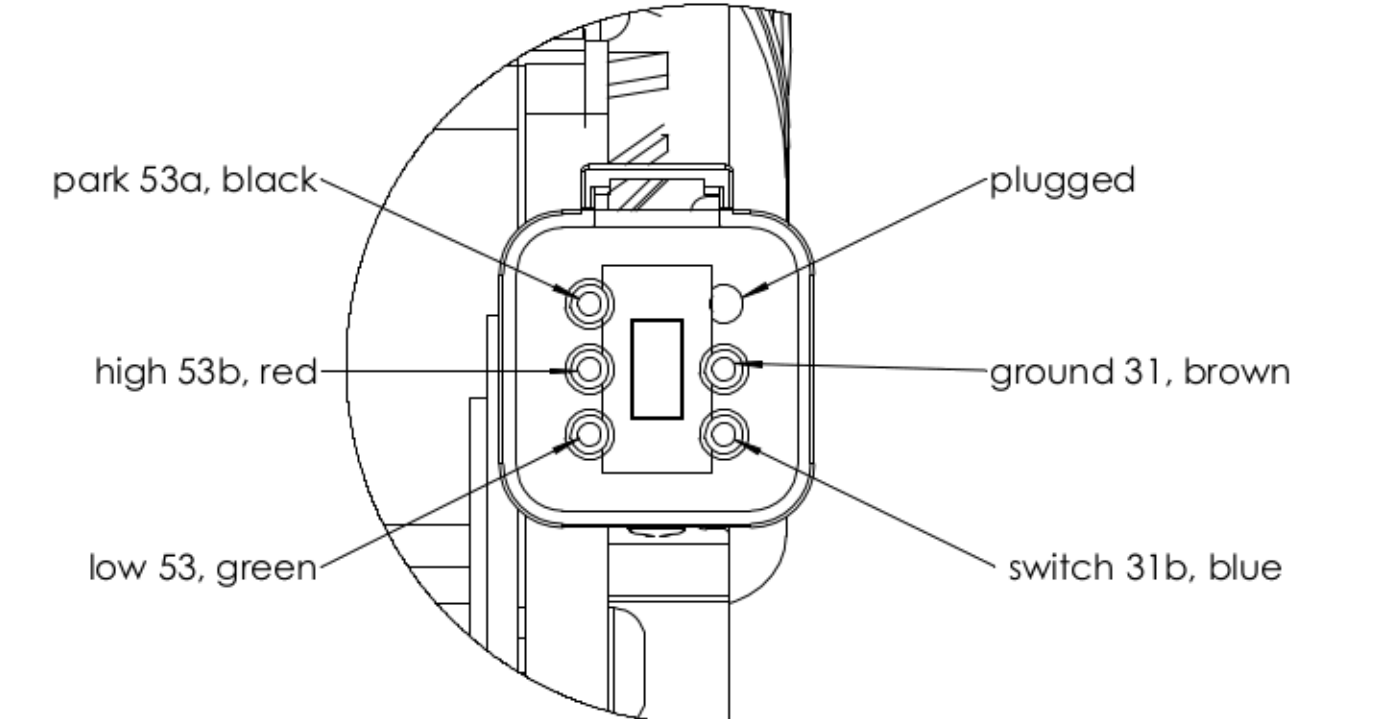
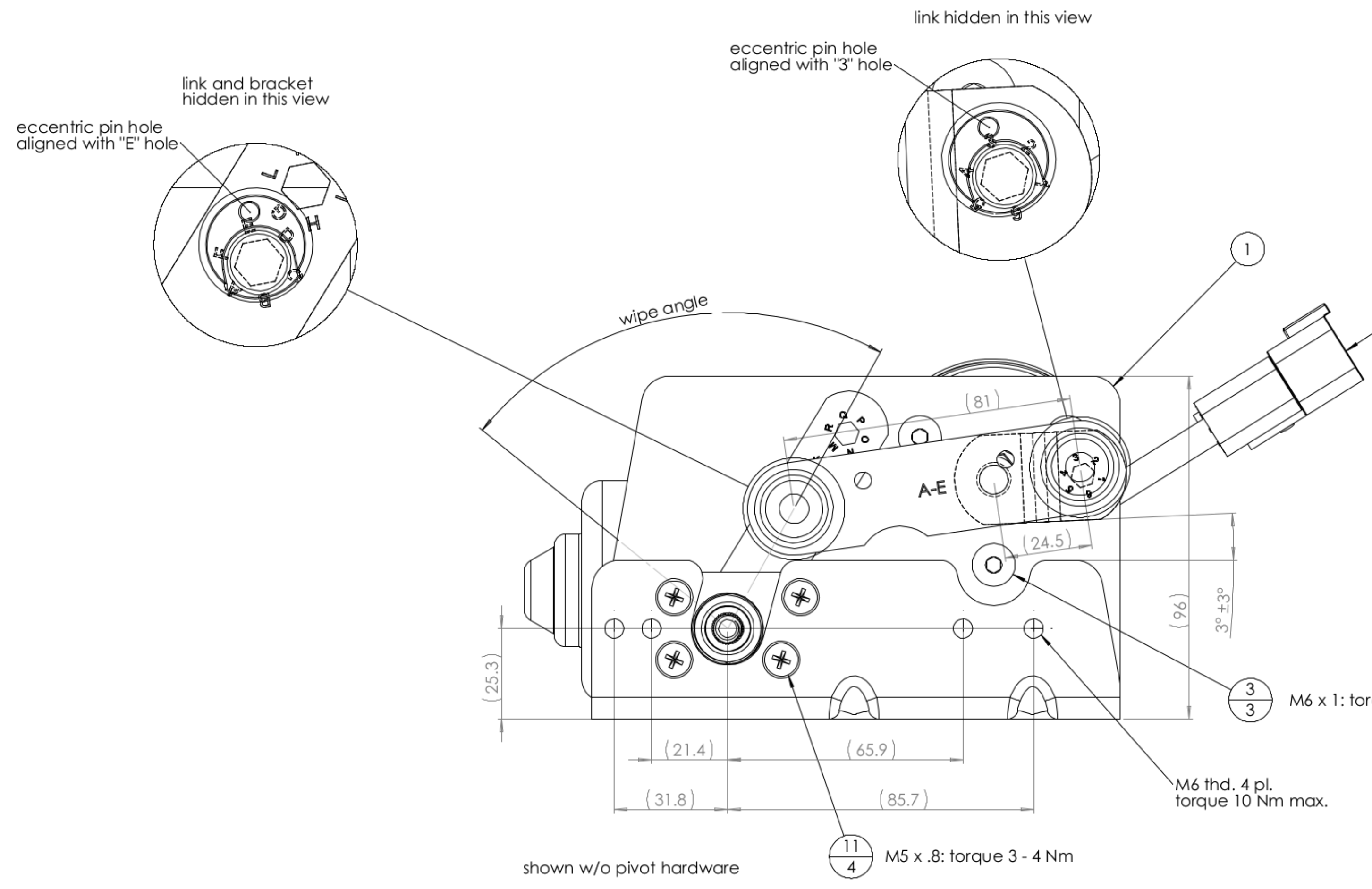
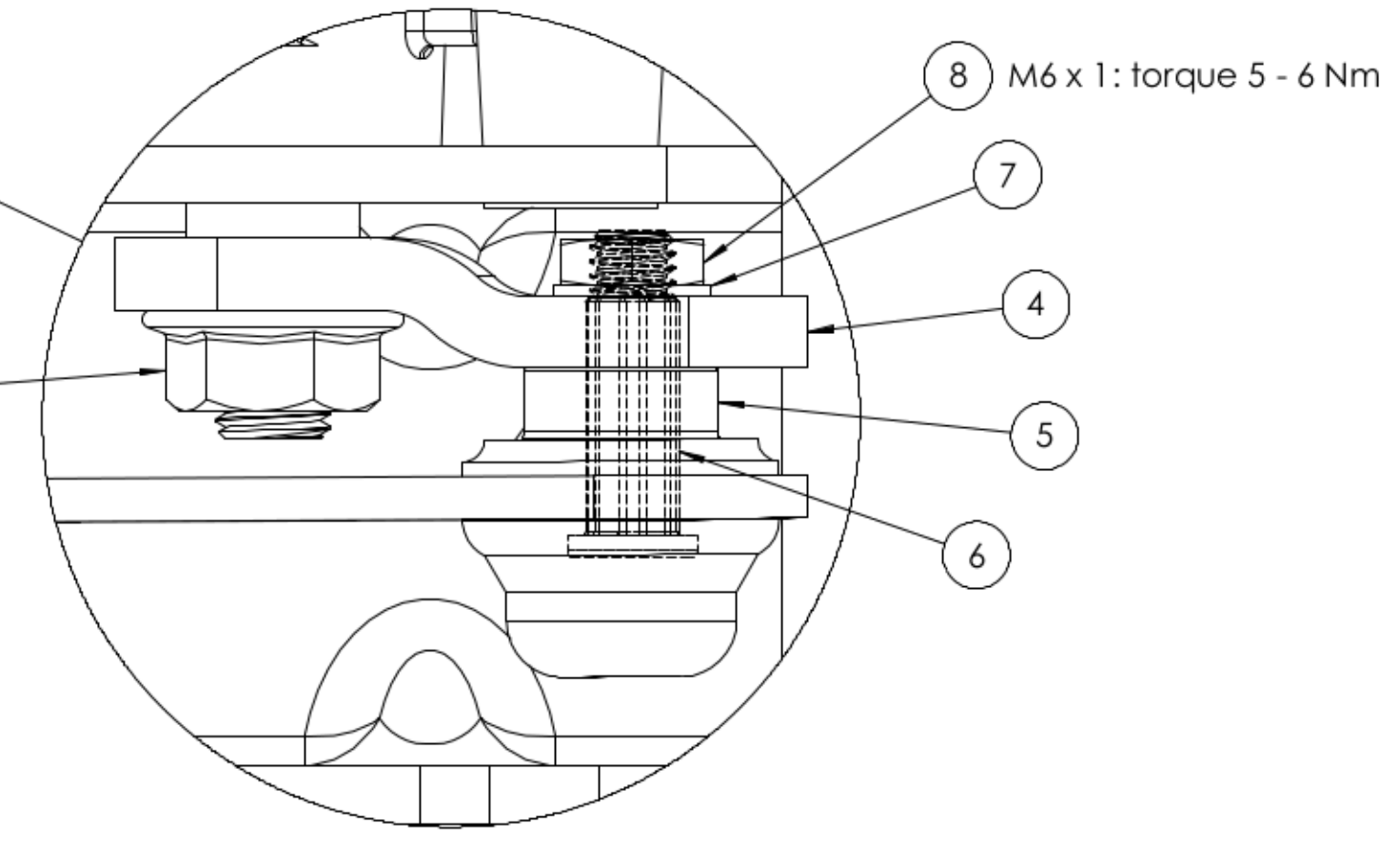
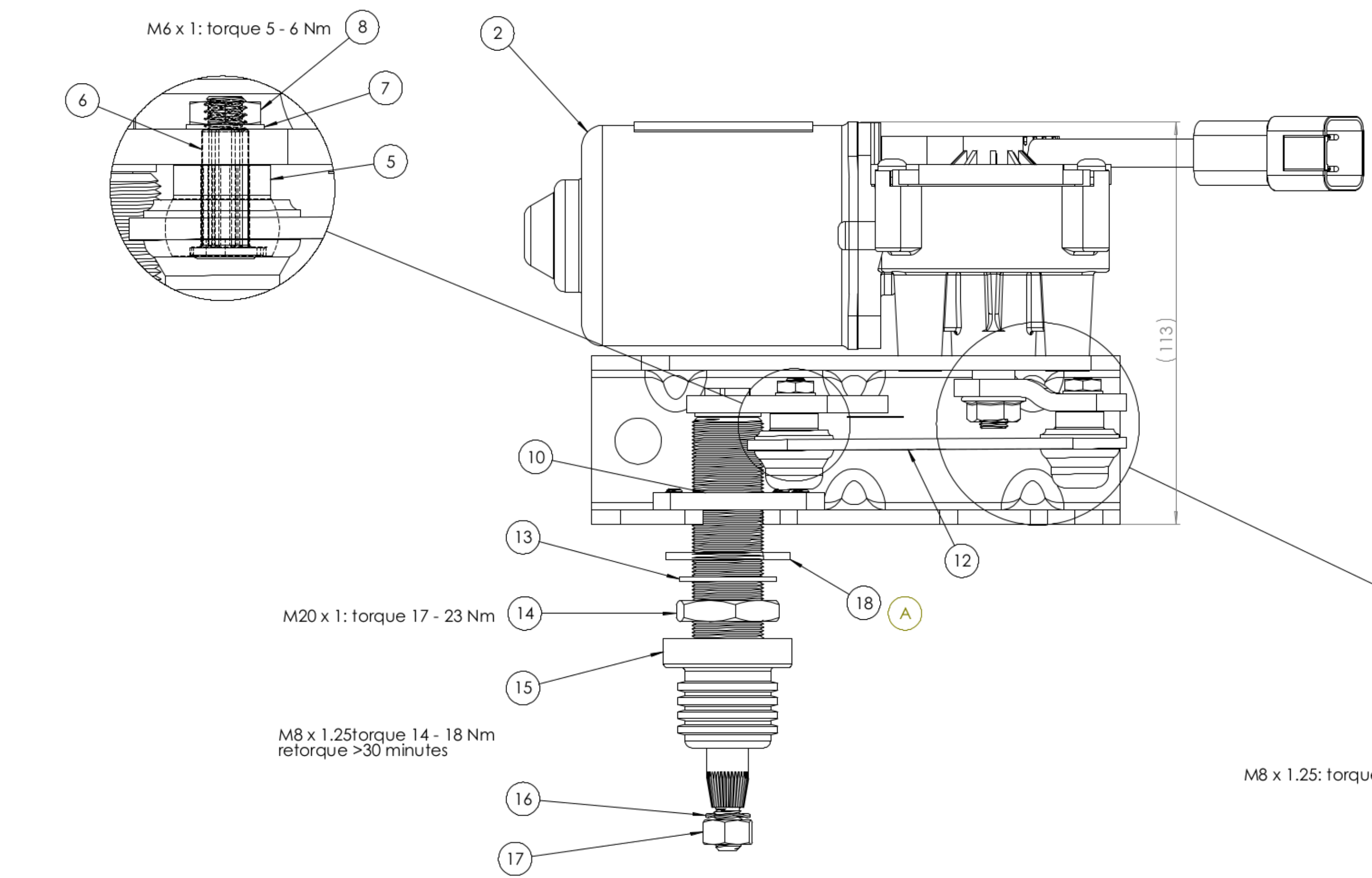


REV	DATE	ECR	DESCRIPTION
0	2-3-17	-	Release for Prototype
A	7-2-18	380	ECR Release, EPDM washer was added

**Notes**

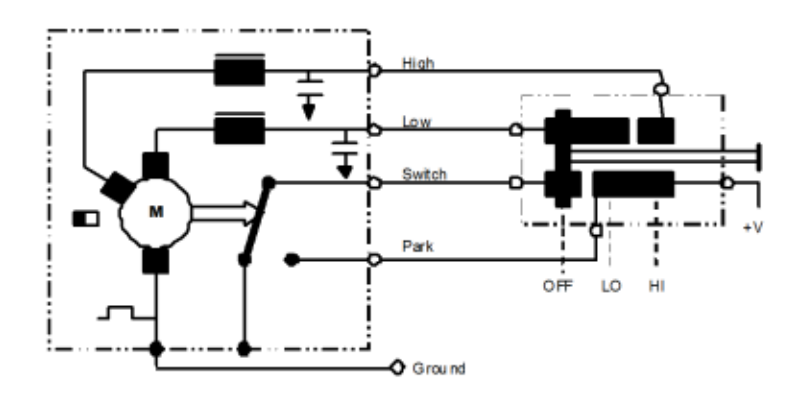
1. Wipe angle: , cold motor, no load
2. Park position as shown, cold motor, no load, 13.5V
3. EMC: CE certified
4. Motor is thermoswitch protected
5. Pivot hardware installed on pivot as shown
6. Stall torque: >32 Nm, cold motor, low speed @ 13.5V

ITEM NO.	PART NUMBER	DESCRIPTION	QTY.
1	400521M	Marine Compact Drive Bracket	1
2	105715D	12V Dynamic Park Motor w/ Deutsch	1
3	SC80061601	20mm Countersunk SHCS	3
4	CR02125002	Motor Crank Plate	1
5	BU21606001	16 mm Eccentric	2
6	PN62006001	Threaded Hex Pin	2
7	WA10655001	M6 Lock Washer	2
8	NT50600001	M8 x 1.25 Hex Nut SS	2
9	400200	M8 x 1.25 toothed flange hex nut	1
10	PM01001001	1" SS compact drive pivot assembly	1
11	300930	M5 x .8 10 mm long flat head screw	4
12	LK10832002	81mm connecting link	1
13	300931	M20 flat washer	1
14	300932	M20 x 1 hex nut	1
15	CA01127001	M20 pivot cap	1
16	WA40805001	M8 wavy washer	1
17	NT00800002	M8 x 1.25 hex nut	1
18	WA07502001	EPDM Rubber Washer	1



**Connector Detail**

**CIRCUIT DIAGRAM**



**12V 80° 1" pivot park CW**

**WEXACO INDUSTRIES**

UNLESS OTHERWISE SPECIFIED:  
DIMENSIONS ARE IN MM  
TOLERANCES PER ISO 2768-1  
CLASS M  
3RD ANGLE PROJECTION

NAME	DATE
JH	2-3-17
MP	2-3-17
JH	2-3-17

COMMENTS:

APPLICATOR

SCALE: 1:1 WEIGHT: SHEET 1 OF 1

1" Marine Compact Drive  
PART NO. MD1.12D.R080  
REV A