

4A Sealed Motor

- IP66 rated
- 2 Speed
- Drives arms and blades to 23"/600mm
- CE certified
- Powder coated case with heat sinks
- Pre-set sweep angles of 40, 50, 60, 70, 80, 90, 100 or 110 degrees are available or can be adjusted to desired angle in the field.



SHAFT CONSTRUCTION: Stainless steel w/brass housing

SHAFT LENGTHS: 1.5", 2.5" or 3.5"

SHAFT TYPE: 1/2" drum standard, optional DIN

LOW SPEED: 40 sweeps/minute

HIGH SPEED: 60 sweeps/minute

MOTOR VOLTAGE: 12v or 24v

GROUNDING: Isolated, white wire

FUSING: 12A for 12v / 7A for 24v

WIRE INSULATION: Red=Park, Green=Low Speed, White=Ground, Blue=High Speed

WIRING: 16AWG, 12" leads

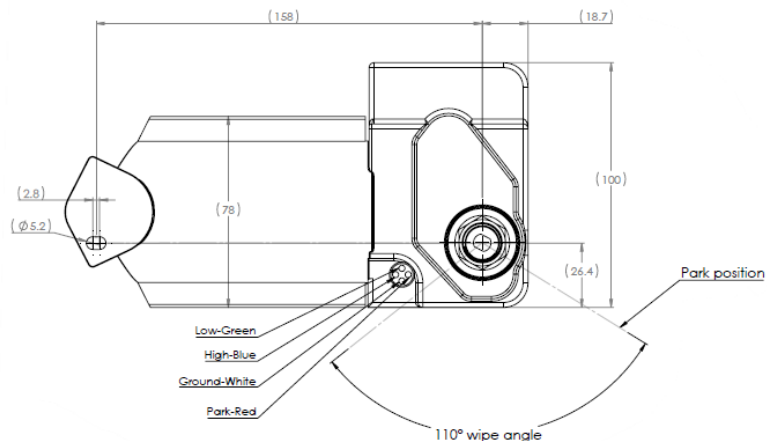
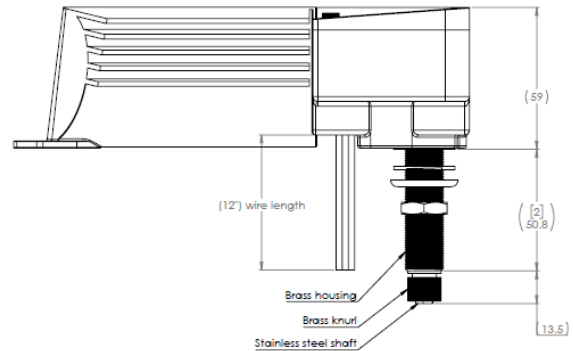
PARK CIRCUITRY: Coast to park

PARK POSITIONS: Adjustable, left or right

CASE: Powder coated, white or black w/heat sinks

WEIGHT: 1.4Kg / 3.1lb

PACKAGING: Individually boxed



www.wexcoind.com

customerservice@wexcoind.com

WEXCO Industries
3 Barnet Road
Pine Brook, New Jersey 07058

(800) 528-3048

200811r1



WELDALL MFG., INC.
CERTIFIED TO ISO 9001:2015
1000111



4A Sealed Motor Part Numbers

PART NUMBER	SHAFT LENGTH	VOLTAGE	CASE COLOR
4A1.12.R110CE	1.5"	12v	WHITE
4A2.12.R110CE	2.5"	12v	WHITE
4A3.12.R110CE	3.5"	12v	WHITE
4A1.24.R110CE	1.5"	24v	WHITE
4A2.24.R110CE	2.5"	24v	WHITE
4A3.24.R110CE	3.5"	24v	WHITE
4A1.12.R110CEB	1.5"	12v	BLACK
4A2.12.R110CEB	2.5"	12v	BLACK
4A3.12.R110CEB	3.5"	12v	BLACK
4A1.24.R110CEB	1.5"	24v	BLACK
4A2.24.R110CEB	2.5"	24v	BLACK
4A3.24.R110CEB	3.5"	24v	BLACK

Sweep angle adjustment and park position instructions are available online
www.wexcoind.com

To specify preset left hand park instead of right hand park:

Change "R" in part number to "L"

Example: 4A1.12.L110CE

To specify a preset sweep angle:

Change "110" in part number to desired angle. 40 - 110 degree angle available in 10 degree increments

Example: For 90 degrees, 4A1.12.R90CE

www.wexcoind.com
customerservice@wexcoind.com

WEXCO Industries
 3 Barnet Road
 Pine Brook, New Jersey 07058

(800) 528-3048

200811r1



WELBALL MFG., INC.
 CERTIFIED TO ISO 9001:2015
 1000111

