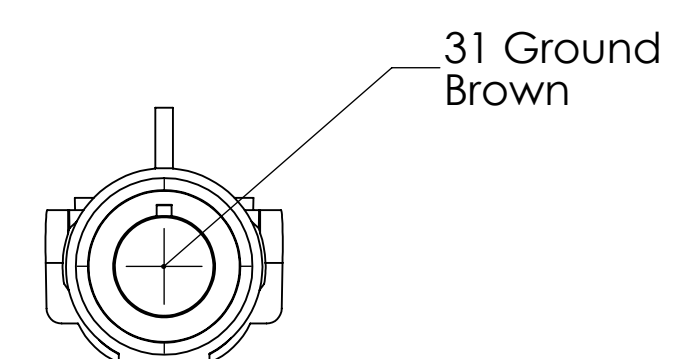
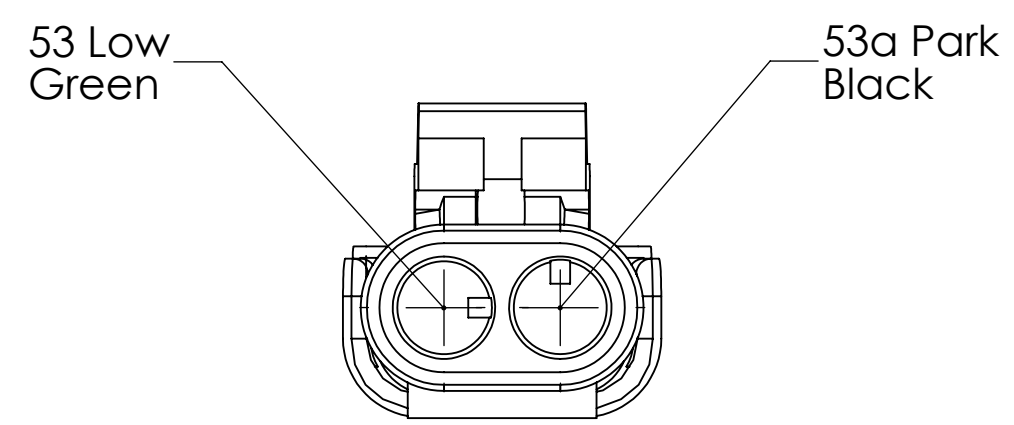
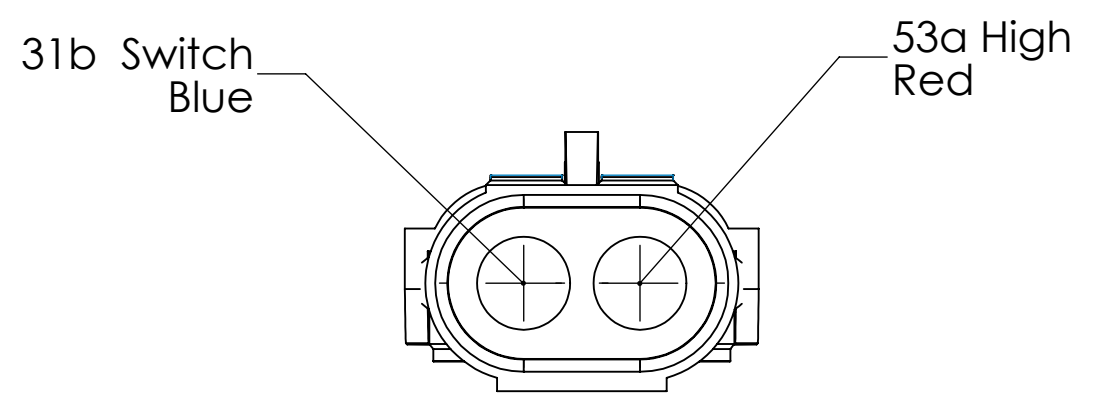
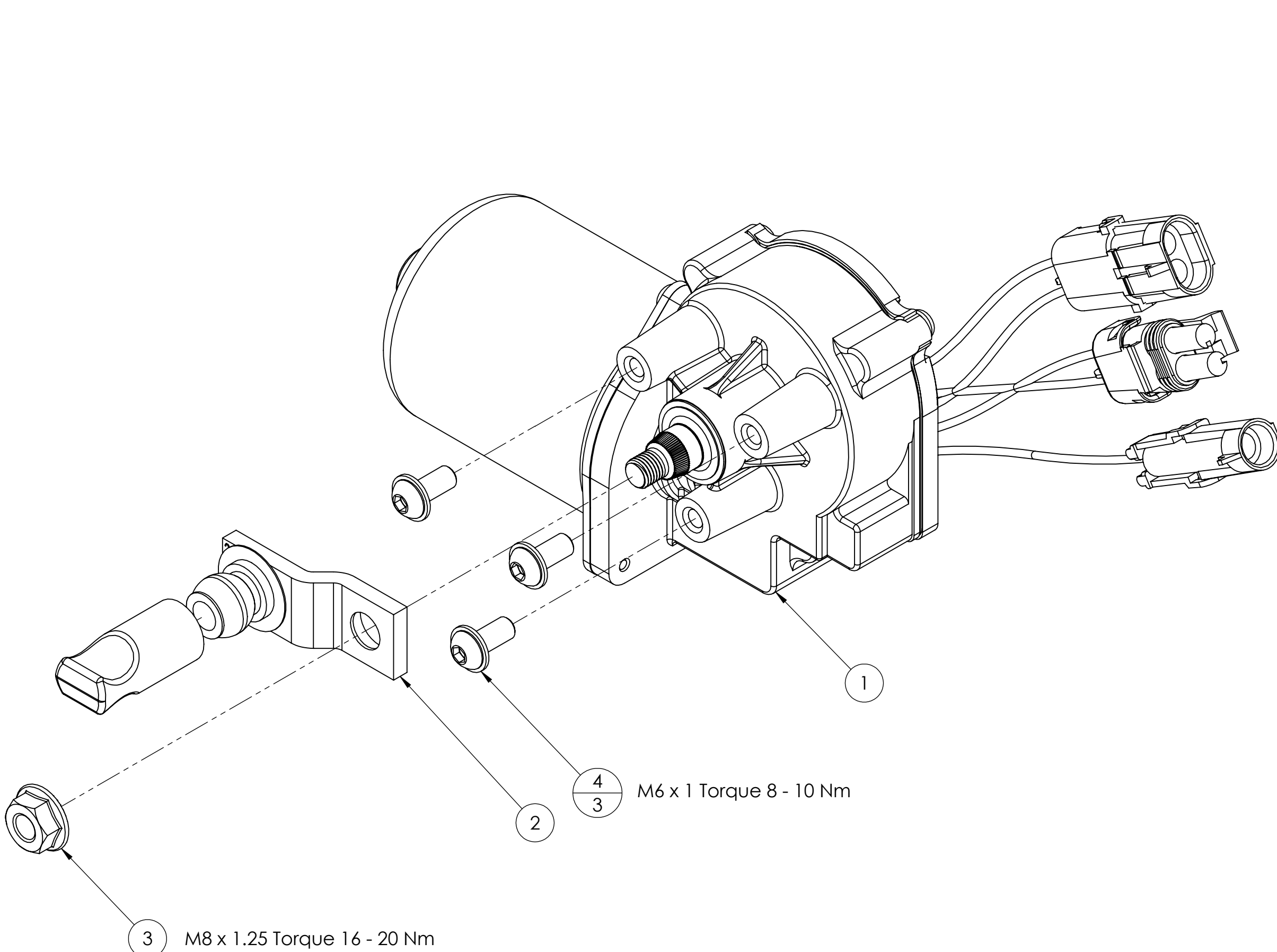
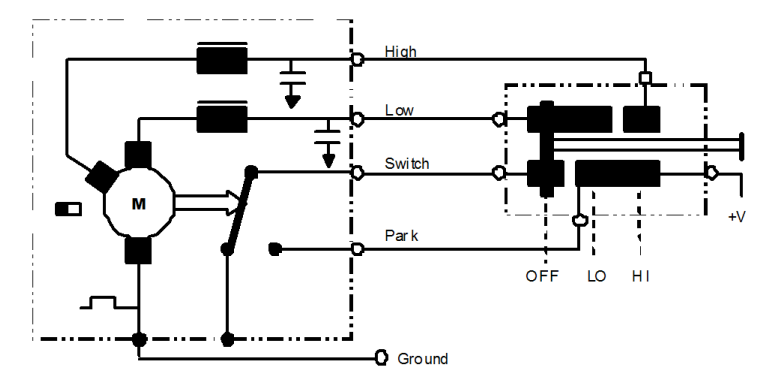


REV	DATE	ECR	DESCRIPTION
A	10-27-14	-	Initial Release



**CONNECTOR DETAIL
2:1**

CIRCUIT DIAGRAM



ITEM NO.	PART NUMBER	DESCRIPTION	QTY.
1	1999-3110015	32Nm Dynamic Park Motor	1
2	86857	Crank As'y (FL)/86857(1.300cc)	1
3	400200	M8x1.25 8mm Flanged Nut	1
4	106900	M6x1x14 Button Head Cap Screw	3

UNLESS OTHERWISE SPECIFIED:	NAME	DATE
DIMENSIONS ARE IN MM	DRAWN JP	10-27-14
3rd ANGLE PROJECTION	CHECKED JH	10-28-14
	ENG APPR. JH	10-28-14
INTERPRET GEOMETRIC TOLERANCING PER: ISO 2768-1 MATERIAL	COMMENTS:	
FINISH		
APPLICATION		



TITLE: All Makes Motor		
SIZE C	DWG. NO. AX9204	REV A
SCALE: 1:1	WEIGHT:	SHEET 1 OF 1

PROPRIETARY AND CONFIDENTIAL
THE INFORMATION CONTAINED IN THIS DRAWING IS THE SOLE PROPERTY OF WEXCO INDUSTRIES. ANY REPRODUCTION IN PART OR AS A WHOLE WITHOUT THE WRITTEN PERMISSION OF WEXCO INDUSTRIES IS PROHIBITED.