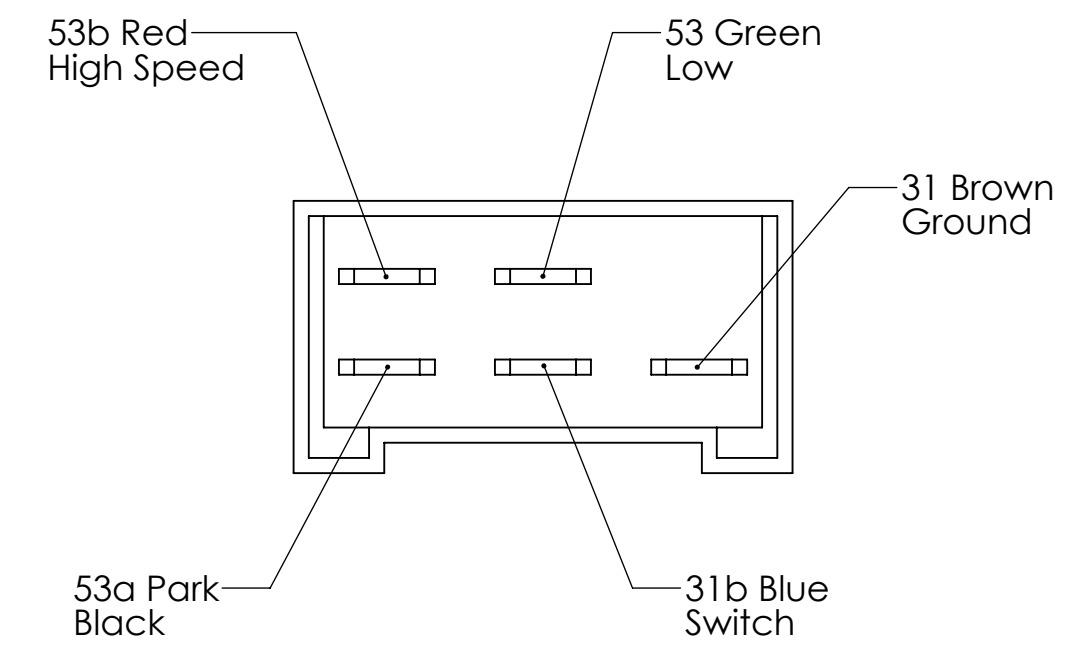
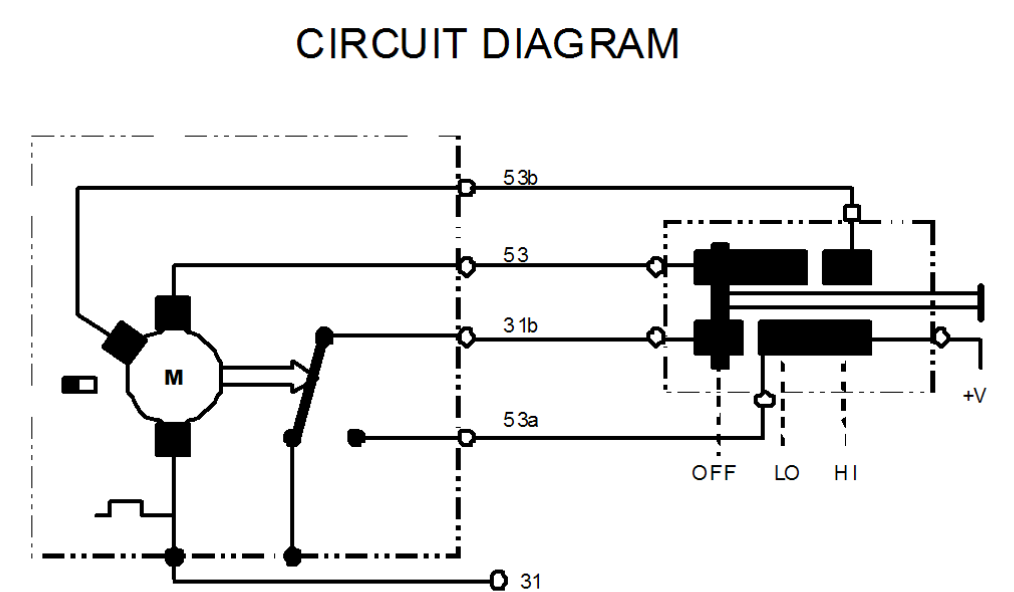
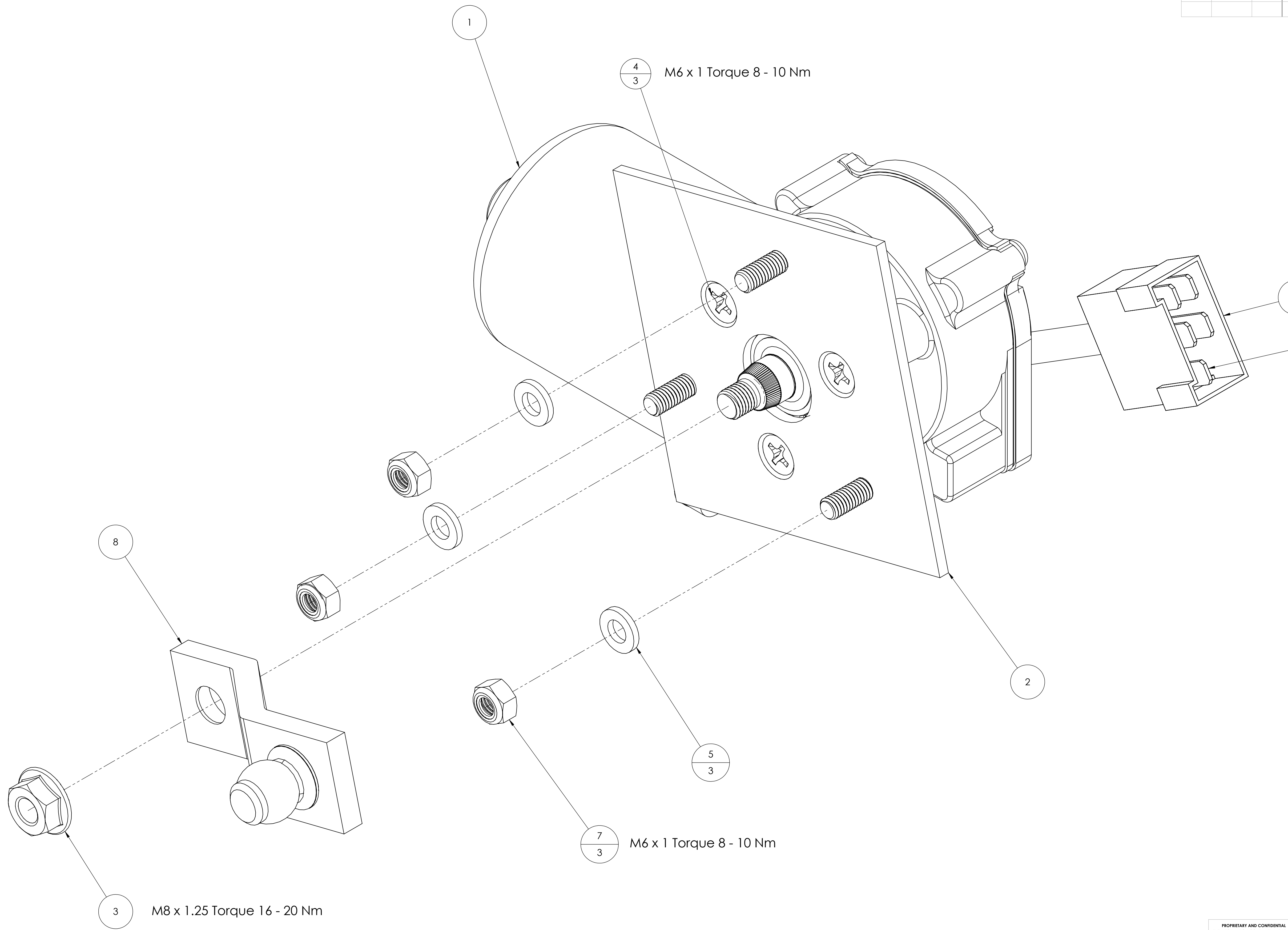


REV	DATE	ECR	DESCRIPTION
A	12-11-14	-	Initial Release



ITEM NO.	PART NUMBER	DESCRIPTION	QTY.
1	105715	WWJ3 Motor 12V 32NM Dynamic	1
2	102308	FL Motor Plate	1
3	400200	M8x1.25 8mm SeratFingNut	1
4	400248	M6-1X16 DIN PHILLIPS FH SCREW	3
5	400250	M6 SS WASHER	3
7	400249	M6X1 SS NYLON INSERT LOCKNUTS	3
8	81508	Crank Arm	1
9	6910105	FIN-ON TAB HSG 6P.	1
10	6920105	Pin /Ven	6



**WEXCO INDUSTRIES**

PROPRIETARY AND CONFIDENTIAL  
THE INFORMATION CONTAINED IN THIS DRAWING IS THE SOLE PROPERTY OF WEXCO INDUSTRIES. ANY REPRODUCTION IN PART OR AS A WHOLE WITHOUT THE WRITTEN PERMISSION OF WEXCO INDUSTRIES IS PROHIBITED.

INTERPRET GEOMETRIC TOLERANCING PER: MATERIAL: FINISH: APPLICATION:

NAME: JP DATE: 12-11-14  
CHECKED: JH DATE: 12-11-14  
ENG APPR: JH DATE: 12-11-14

COMMENTS:

TITLE: All Makes Motor

SIZE: D PART NO.: AX9310 REV: A  
SCALE: 1:2 WEIGHT: SHEET 1 OF 1