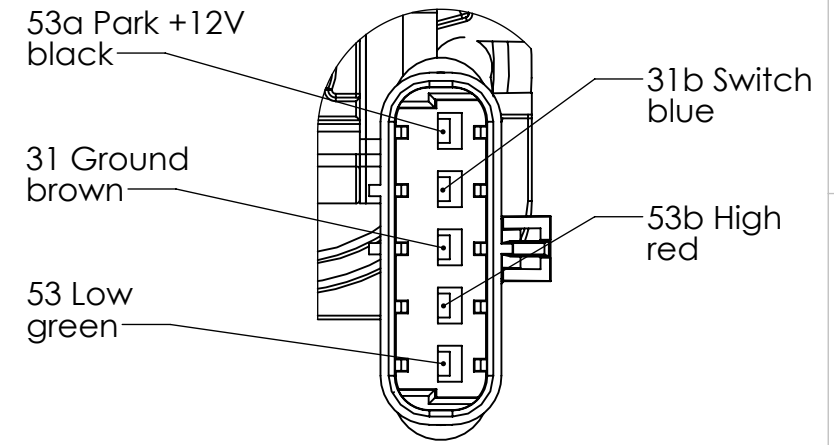
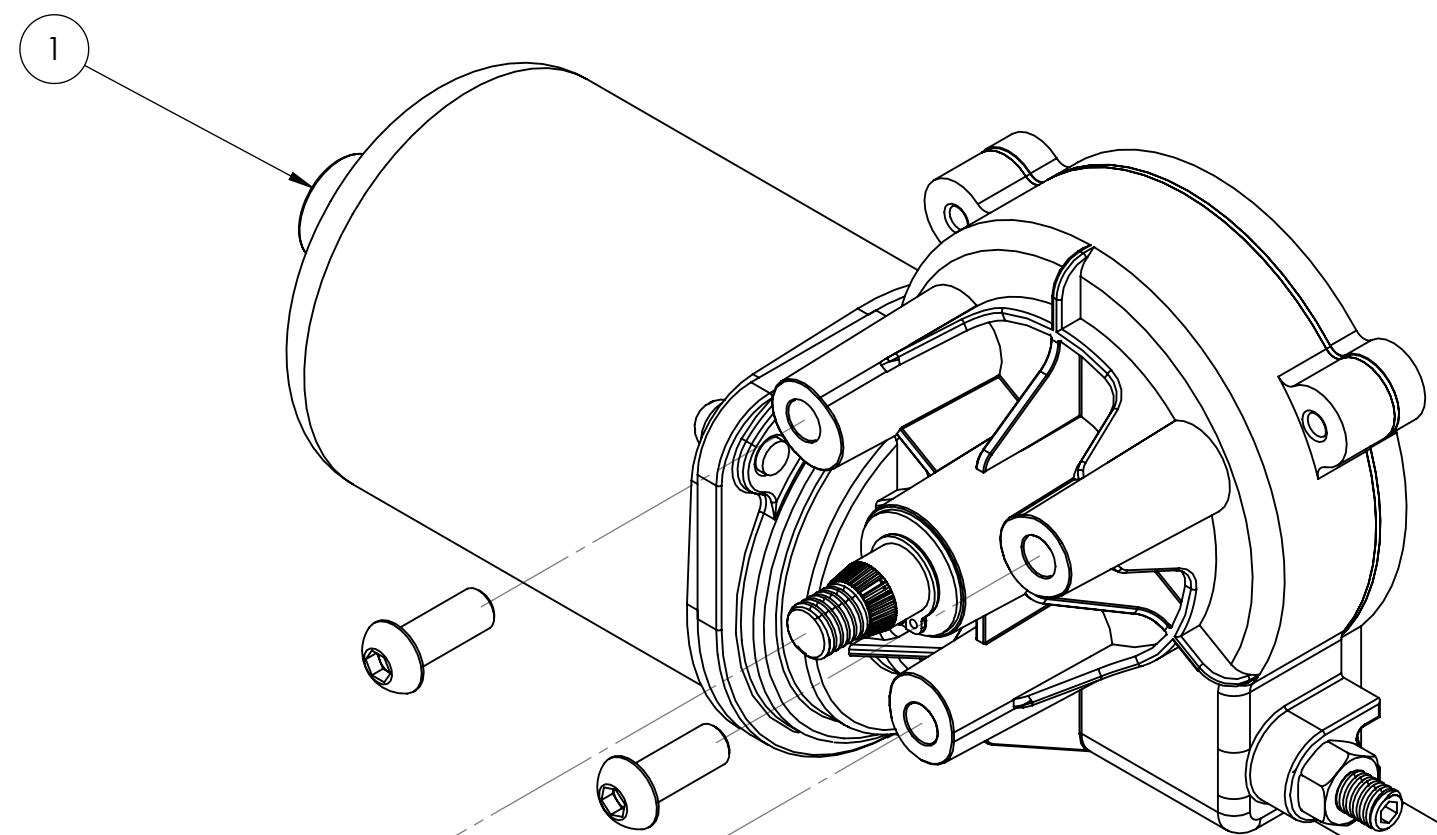
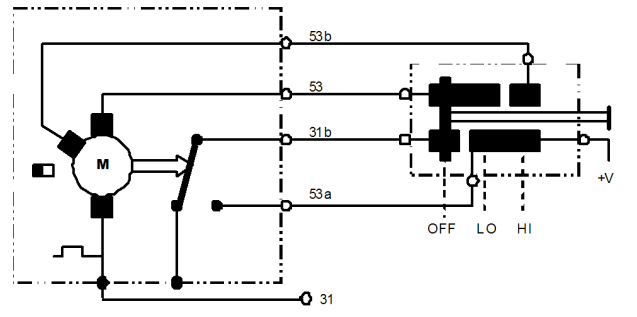


REV	DATE	ECR	DESCRIPTION
0	3-4-15	-	Release for Prototype
1	3-16-15	-	400200 added, 106800 added



Connector Detail
Scale 2:1

CIRCUIT DIAGRAM



6
3 M6 x 1 Torque 8 - 10 Nm

5 M8 x 1.25 Torque 16 - 20 Nm

NO	PART NUMBER	DESCRIPTION	QTY.
1	411.01301.2812	H134 28Nm Dynamic Park Motor	1
2	12084673	TPA	1
3	12129497	Metripack Male Terminals	5
4	12186400	5 Pin Metripack Connector	1
5	400200		1
6	106800		3

UNLESS OTHERWISE SPECIFIED:
DIMENSIONS ARE IN MM
TOLERANCES PER ISO 2768-1
CLASS M
3rd ANGLE PROJECTION

	NAME	DATE
DRAWN	JH	3-4-15
CHECKED	MP	3-4-15
ENG APPR.	JH	3-4-15



TITLE:
H134 Motor w/ Metripack

PROPRIETARY AND CONFIDENTIAL
THE INFORMATION CONTAINED IN THIS DRAWING IS THE SOLE PROPERTY OF WEXCO INDUSTRIES. ANY REPRODUCTION IN PART OR AS A WHOLE WITHOUT THE WRITTEN PERMISSION OF WEXCO INDUSTRIES IS PROHIBITED.

INTERPRET GEOMETRIC TOLERANCING PER: ISO 2768-1 M MATERIAL
FINISH
APPLICATION

COMMENTS:

SIZE	DWG. NO.	REV
B	AX9113	0
SCALE: 1:1	WEIGHT:	SHEET 1 OF 1