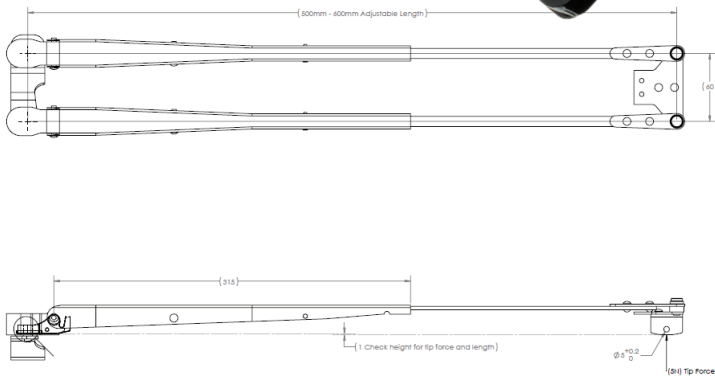


# Pantograph Wiper Arms

## Adjustable Length



**Material:** 304 Stainless Steel

**Coating:** Black powder coated arms are standard. Optional non-coated upon request.

**Lengths:** Adjustable per table below

**Wet / Dry:** Dry arms are standard. Optional wet kits are available

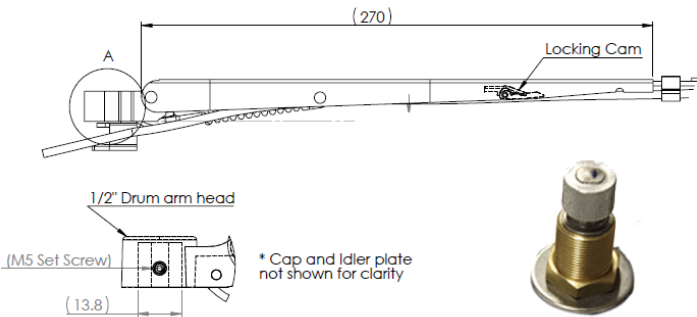
**Blade Attachment:** 13.6mm saddle

### Pantograph Wiper Arms - Adjustable Lengths

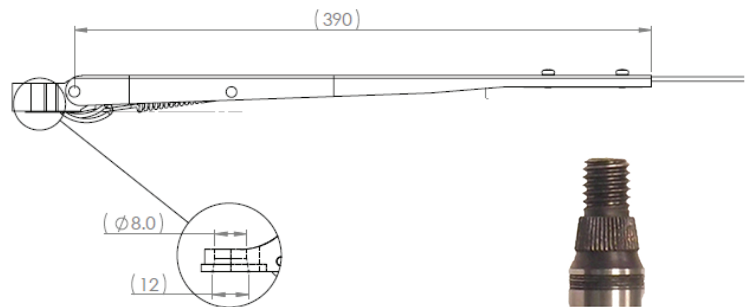
| PART NUMBER | SHAFT TYPE | LENGTH INCHES | LENGTH MM  | COLOR | APPLICATION          |
|-------------|------------|---------------|------------|-------|----------------------|
| 200733DS    | 1/2" DRUM  | 11" - 14"     | 280 - 350  | BLACK | 4A / 4R MOTORS       |
| 200701DS    | 1/2" DRUM  | 14" - 18"     | 350 - 450  | BLACK | 4A / 4R MOTORS       |
| 200703DS    | 1/2" DRUM  | 20" - 24"     | 500 - 600  | BLACK | 4A / 4R MOTORS       |
| 200732DS    | 1/2" DRUM  | 26" - 32"     | 650 - 800  | BLACK | 4A / 4R MOTORS       |
| 200732DSR   | DIN        | 26" - 32"     | 651 - 800  | BLACK | COMPACT DRIVE MOTORS |
| 200708DS    | DIN        | 20" - 24"     | 500 - 600  | BLACK | 4A / 4R MOTORS       |
| 200708DSR   | DIN        | 20" - 24"     | 501 - 600  | BLACK | COMPACT DRIVE MOTORS |
| 200712DS    | DIN        | 26" - 32"     | 650 - 800  | BLACK | 4A / 4R MOTORS       |
| 200712DSR   | DIN        | 26" - 32"     | 651 - 800  | BLACK | COMPACT DRIVE MOTORS |
| 200713DS    | DIN        | 32" - 36"     | 800 - 900  | BLACK | 4A / 4R MOTORS       |
| 200713DSR   | DIN        | 32" - 36"     | 801 - 900  | BLACK | COMPACT DRIVE MOTORS |
| 200719DS    | DIN        | 38" - 40"     | 950 - 1000 | BLACK | 4A / 4R MOTORS       |
| 200719DSR   | DIN        | 38" - 40"     | 951 - 1000 | BLACK | COMPACT DRIVE MOTORS |

## Shaft Types

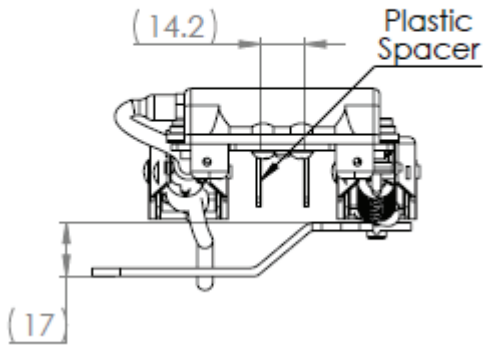
### 1/2" Drum Shaft



### DIN Shaft



## Optional Wet Kit



### Optional Wet Kit P/N WE19491

6 jet nozzle bolts on to the  
bridge plate

Kit includes nozzle, washer  
hose and hose clips

