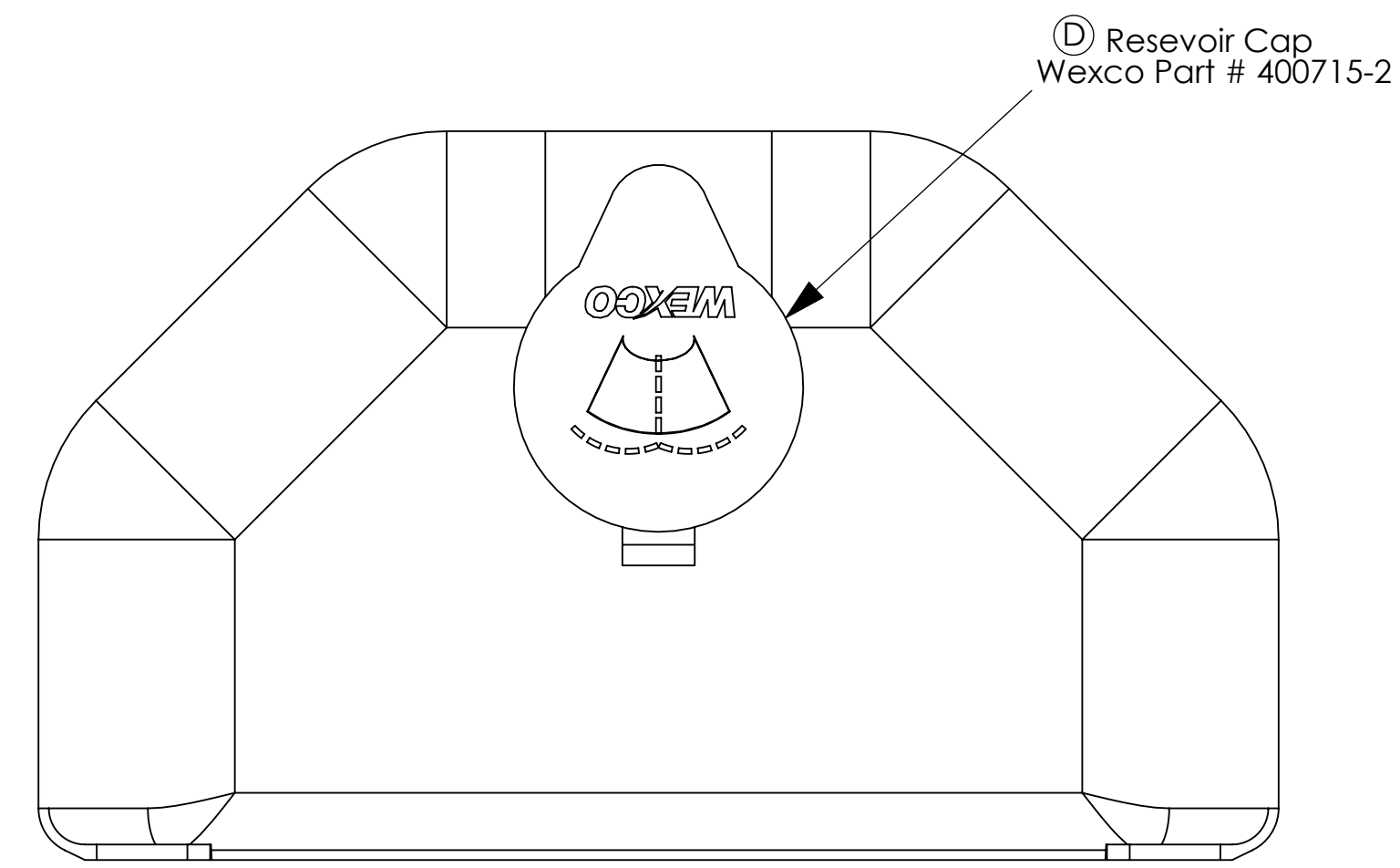
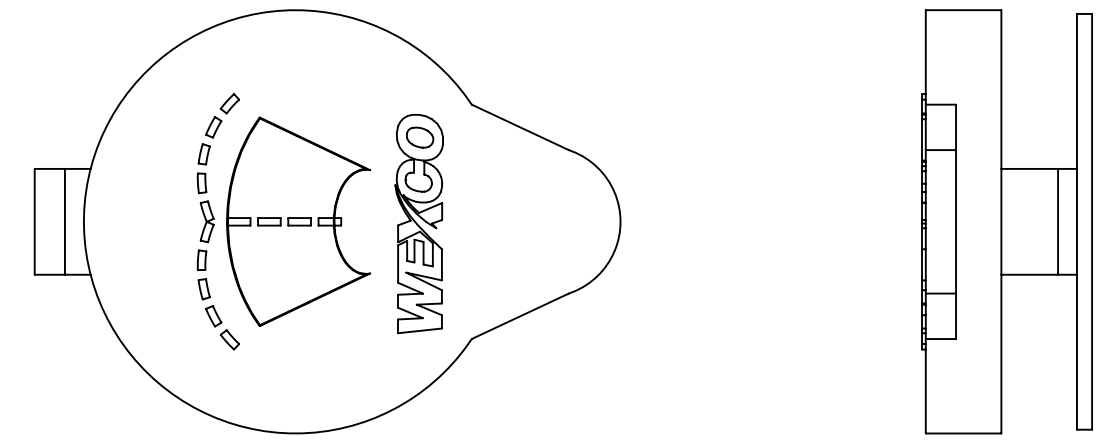
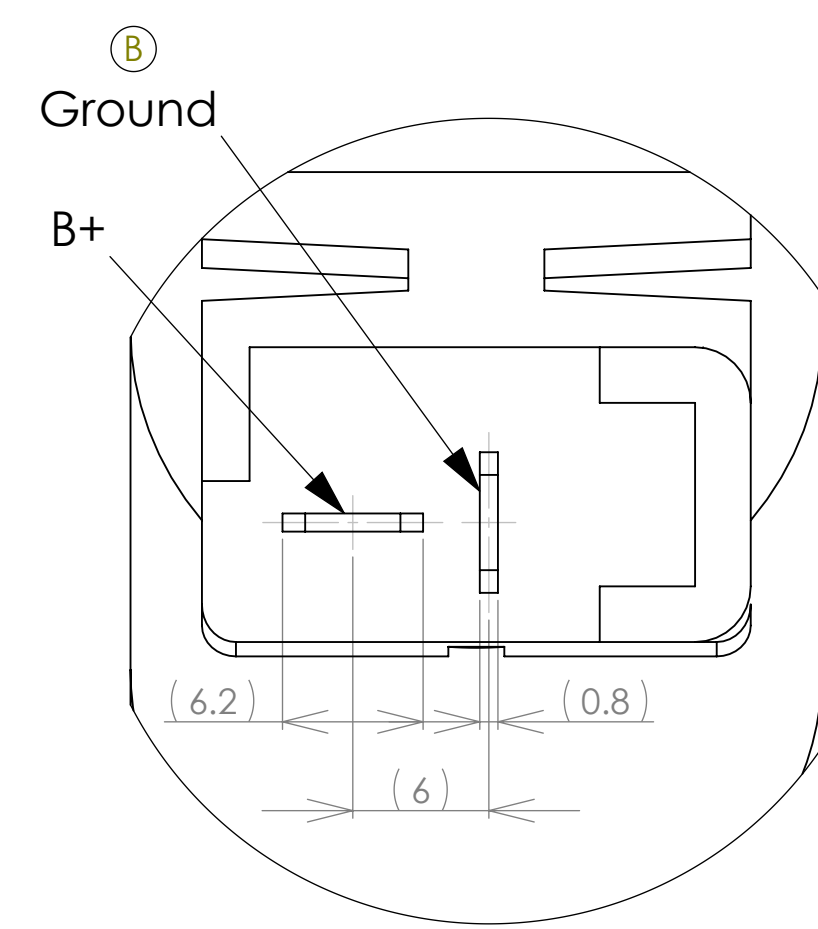
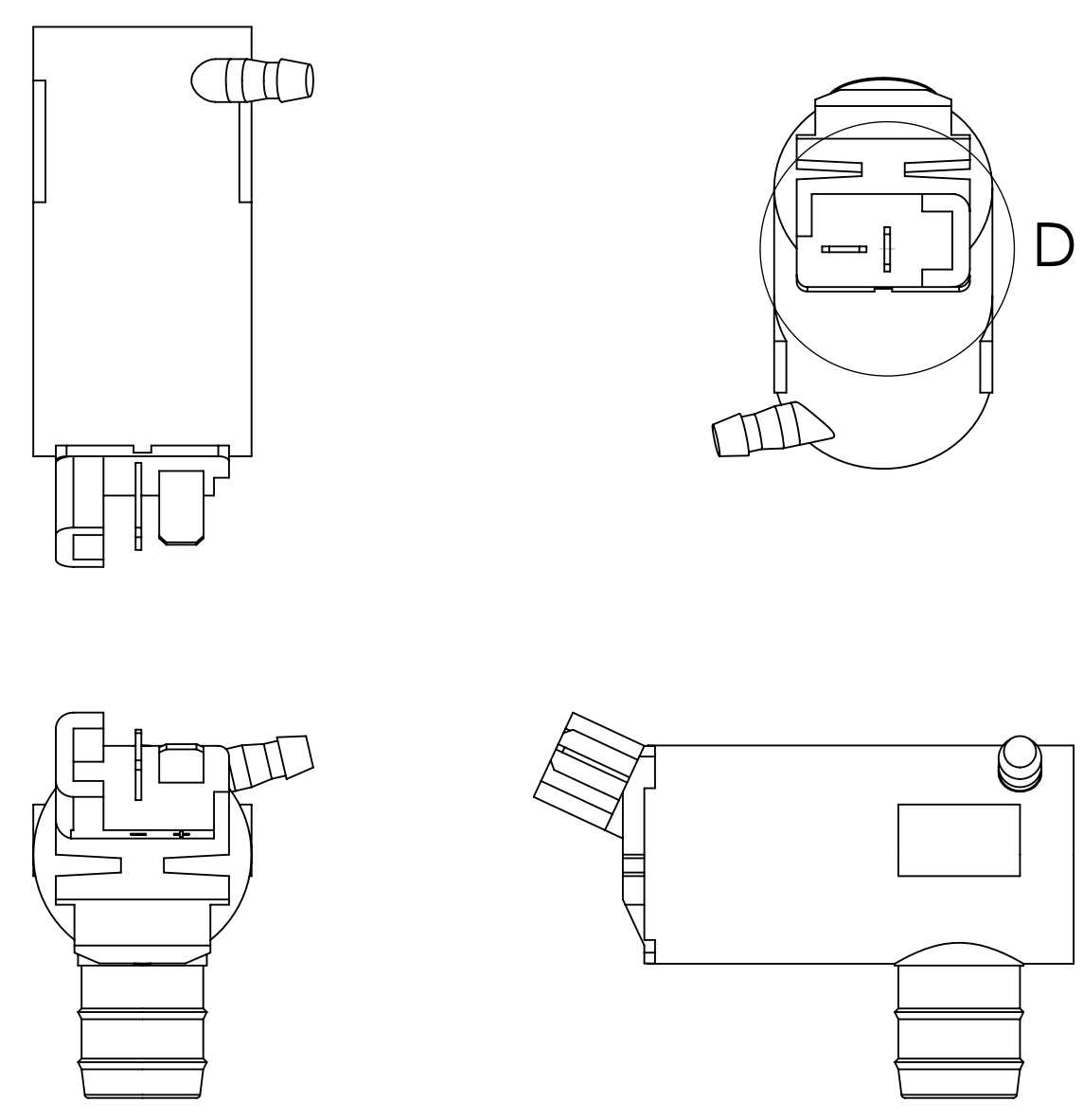
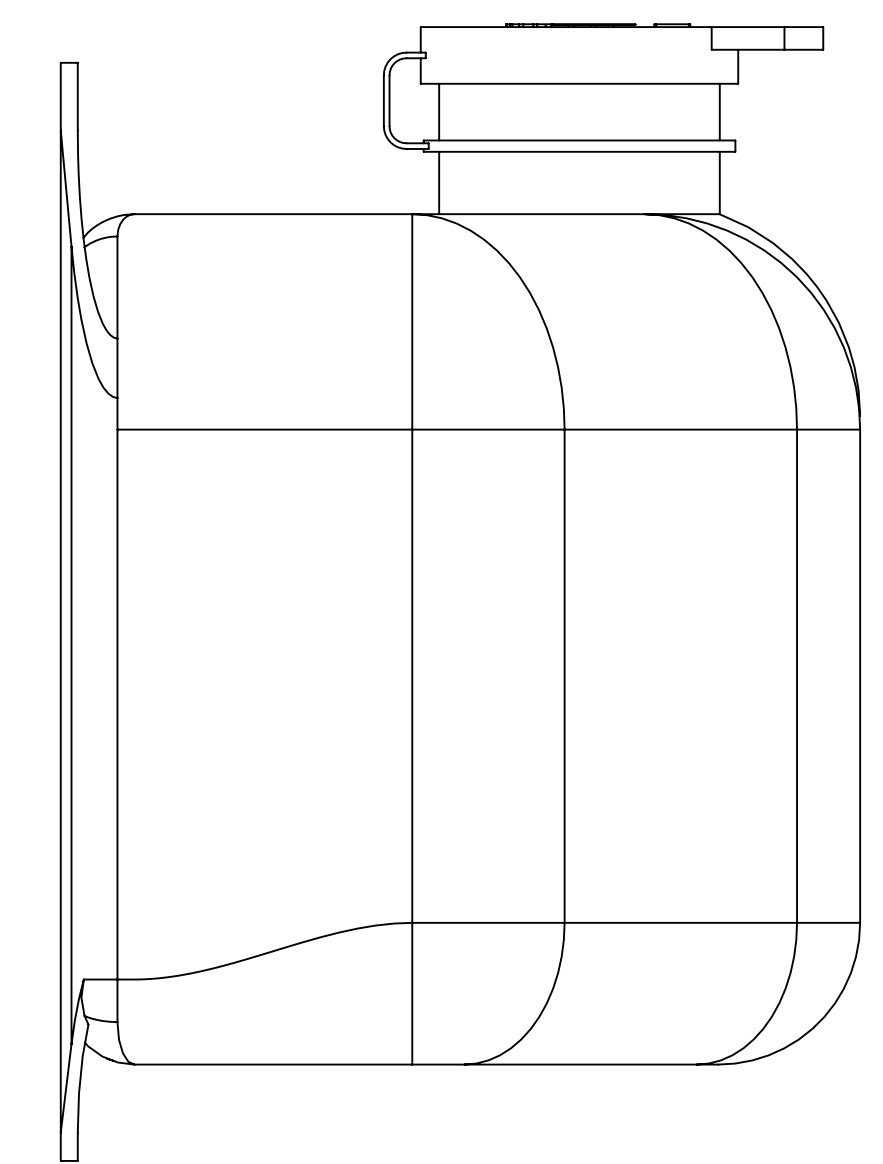
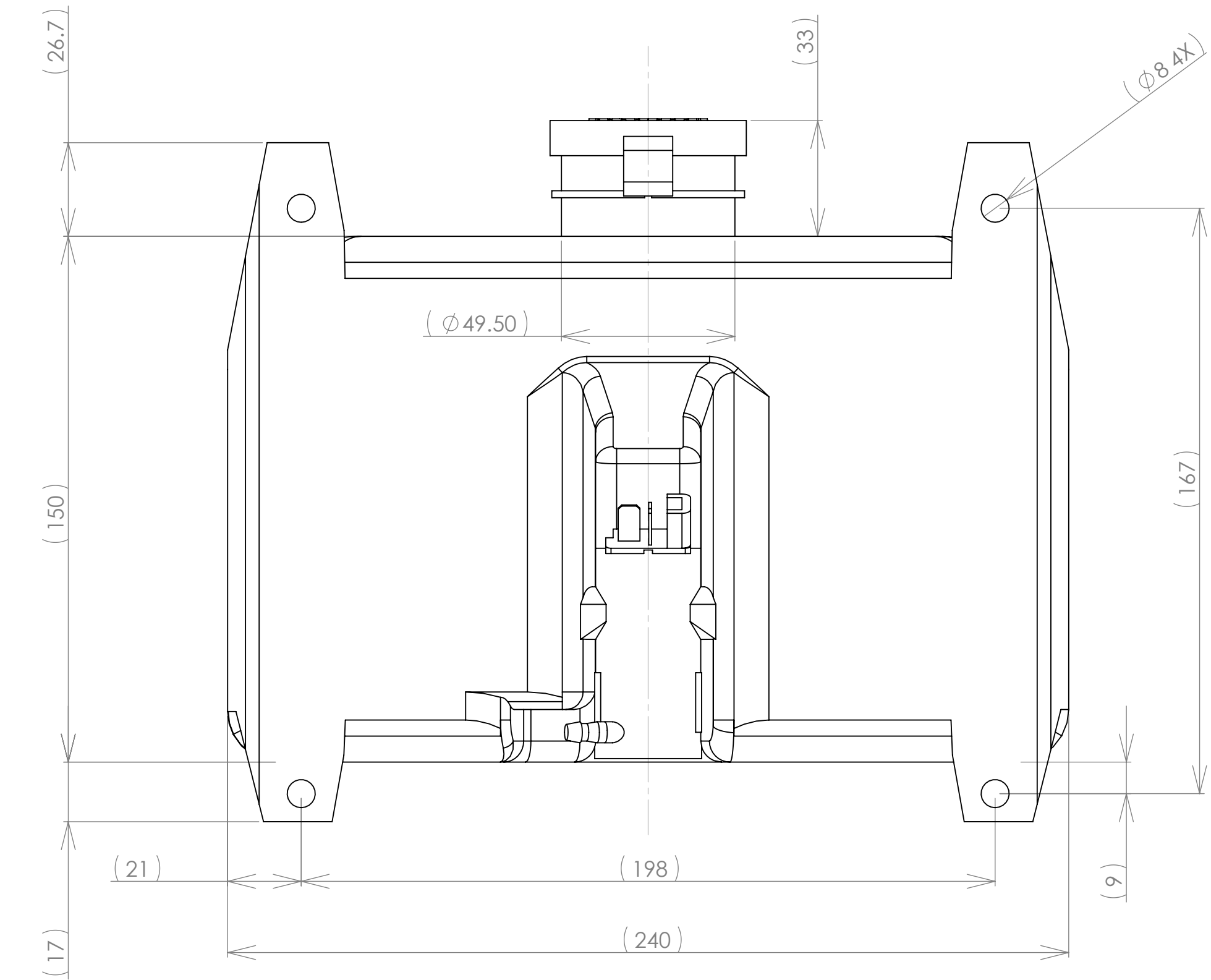
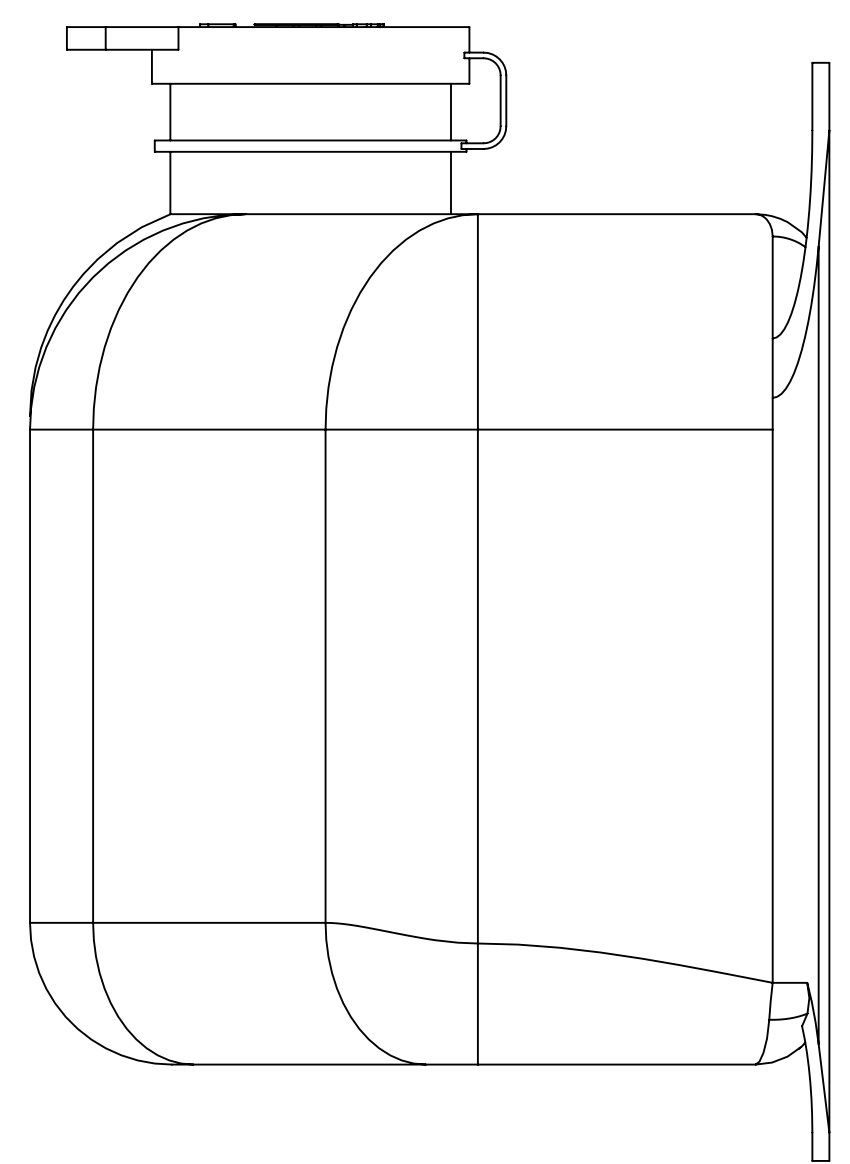


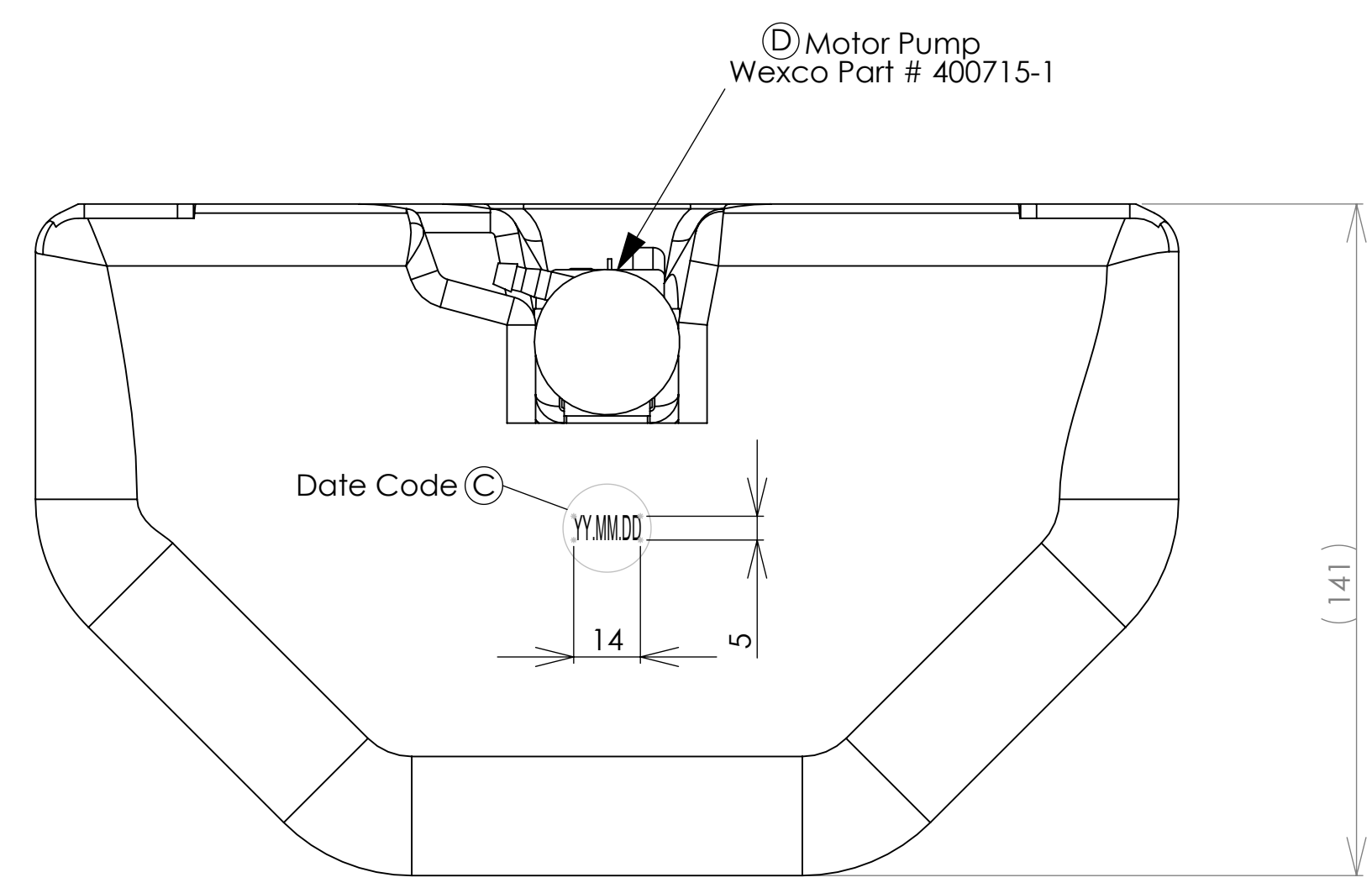
| REV | DATE | DESCRIPTION |
|-----|---------|--|
| A | 9/21/09 | Initial Release |
| B | 8/30/10 | Connector Polarity Added |
| C | 1/3/12 | Date Code Stamp Added |
| D | 8/30/12 | Pump and Cap part numbers added, ECR 167 |



Cap 1:1 Scale



DETAIL D
SCALE 3 : 1
Terminal Dimensions



Pump 1:1 Scale

| No. | SPECIFICATION | | |
|-----------------------------|-----------------------|-------------------------|---------------|
| 1 | MOTOR TYPE | DC FERRITE MAGNET MOTOR | |
| 2 | PUMP TYPE | CENTRIFUGAL PUMP | |
| MOTOR & PUMP CHARACTERISTIC | | | |
| 3 | RATED VOLTAGE | 12V | |
| 4 | TEST CONDITION | TEST FLUID | Tap Water |
| | | AMBIENT TEMPERATURE | 20 ± 5 C |
| | | JET | Ø 1.0 mm x 2 |
| | | TEST VOLTAGE | 13.5V |
| 4 | REQUIREMENT | DISCHARGE PRESSURE | Min. 1.47 Bar |
| | | FLOW RATE | 24 ml/s |
| | | CURRENT | MAX 5.0 Amps |
| 4 | OVERLOAD CAPACITY | WATER | Max 60 Sec. |
| | | Dry | Max 20 Sec. |
| 5 | OPERATING TEMP. RANGE | -30C to +80C | |
| 6 | WEIGHT | 80g | |
| 7 | VOLUME | 1.0 Gallon/4 Liters | |

UNLESS OTHERWISE SPECIFIED:
DIMENSIONS ARE IN MM
TOLERANCES PER ISO 2768-1
CLASS M
3RD ANGLE PROJECTION

| | | |
|-----------|----|----------|
| DRAWN | JH | 9/21/09 |
| CHECKED | MP | 10/16/09 |
| ENG APPR. | MP | 10/16/09 |

NAME: _____ DATE: _____
 COMMENTS: _____
 MATERIAL: Polyethylene
 FINISH: DNA
 APPLICATION: _____

PROPRIETARY AND CONFIDENTIAL
 THE INFORMATION CONTAINED IN THIS DRAWING IS THE SOLE PROPERTY OF WEXCO INDUSTRIES. ANY REPRODUCTION IN PART OR AS A WHOLE WITHOUT THE WRITTEN PERMISSION OF WEXCO INDUSTRIES IS PROHIBITED.

INTERPRET GEOMETRIC TOLERANCING PER: _____
 WEXCO INDUSTRIES

TITLE: Washer Bottle
 SIZE: PART NO. 400715 REV C
 SCALE: 1:2 WEIGHT: SHEET 1 OF 1