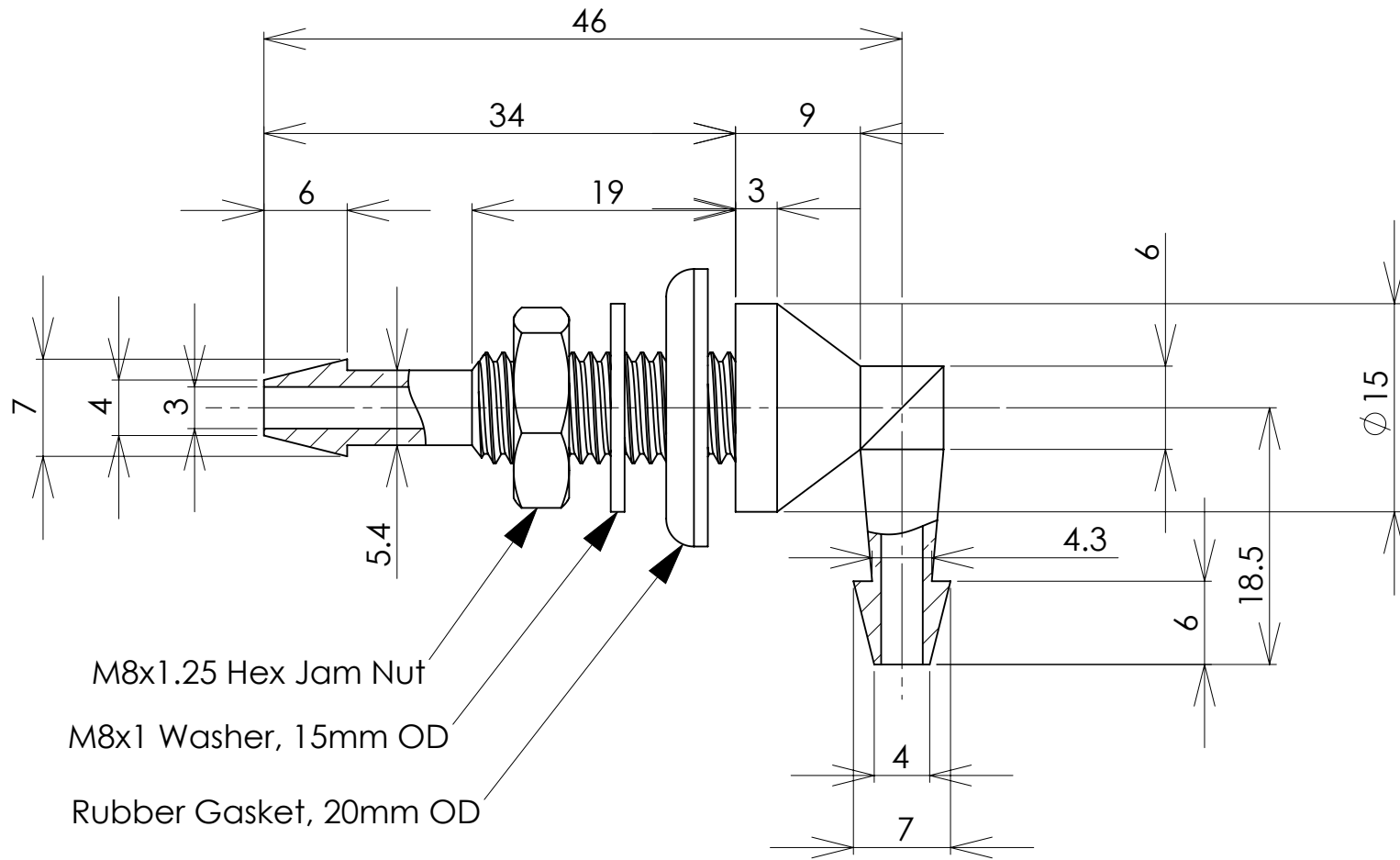


DIMENSIONS FOR REFERENCE ONLY



M8x1.25 Hex Jam Nut
M8x1 Washer, 15mm OD
Rubber Gasket, 20mm OD

REV	DATE	DESCRIPTION	UNLESS OTHERWISE SPECIFIED:	NAME	DATE				
A	4/8/08	INITIAL RELEASE	DIMENSIONS ARE IN MM	DRAWN	JH			4/9/08	
			3rd ANGLE PROJECTION	CHECKED	MP	4/10/08	TITLE: 90° GROMMET		
			INTERPRET GEOMETRIC TOLERANCING PER: ISO 2768-1 M	ENG APPR.	MP	4/10/08			
			MATERIAL	PROPRIETARY AND CONFIDENTIAL <small>THE INFORMATION CONTAINED IN THIS DRAWING IS THE SOLE PROPERTY OF WEXCO INDUSTRIES. ANY REPRODUCTION IN PART OR AS A WHOLE WITHOUT THE WRITTEN PERMISSION OF WEXCO INDUSTRIES IS PROHIBITED.</small>			SIZE A	DWG. NO. 200257	REV A
			FINISH				SCALE: 2:1		WEIGHT:
			APPLICATION						