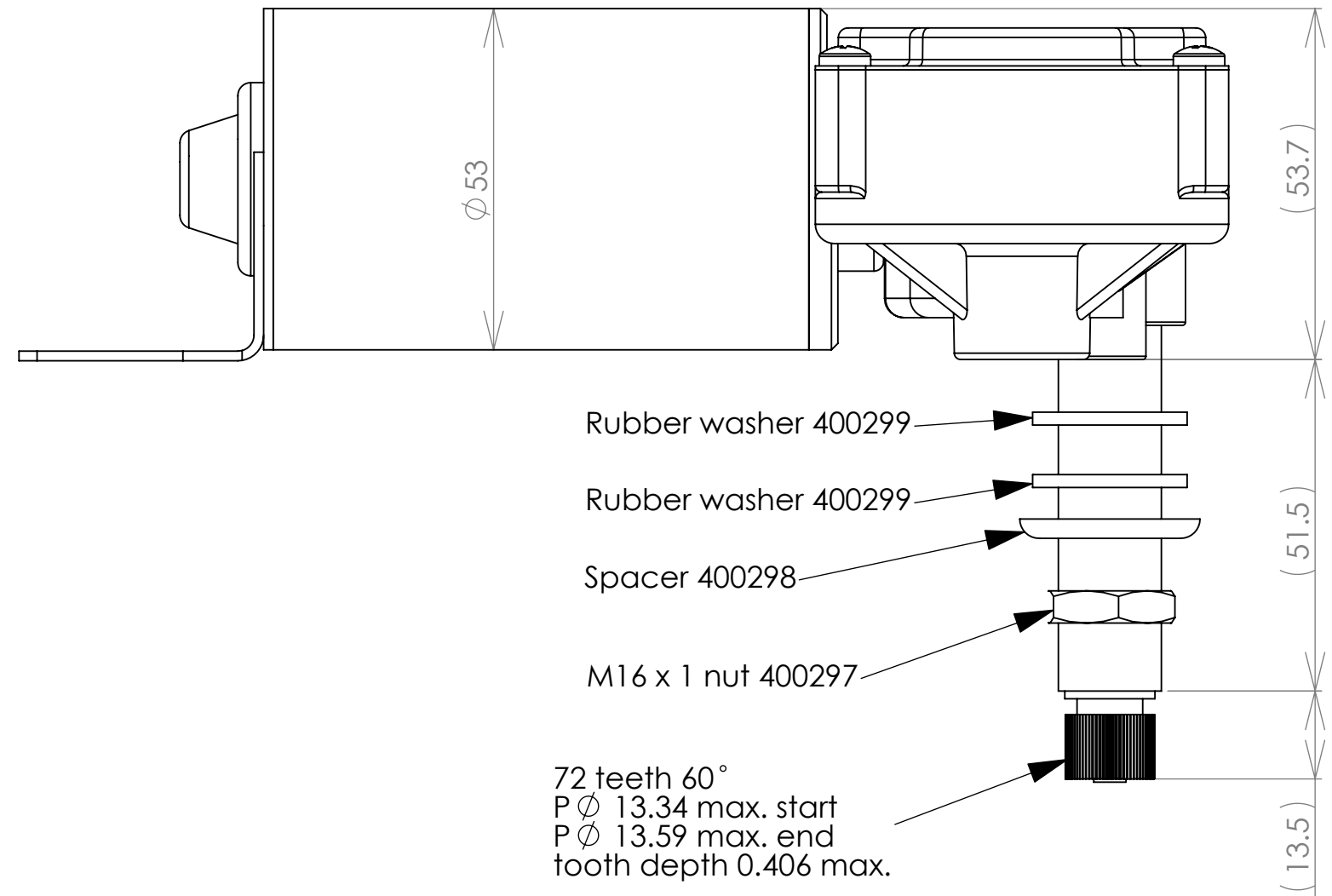


REV	DATE	DESCRIPTION
A	3-27-08	Initial release



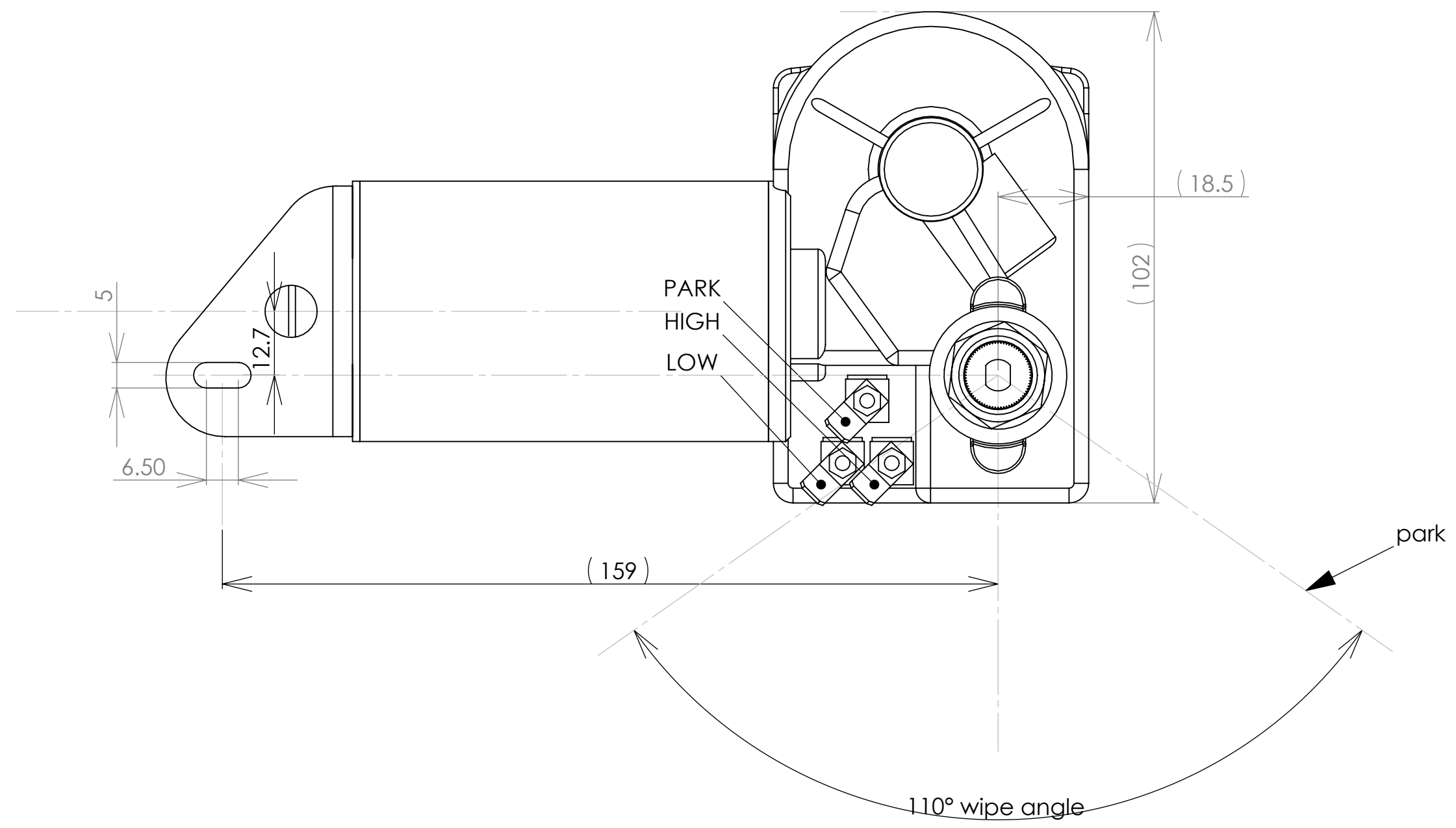
- Notes
1. Motor supply voltage: 13.5 volts
  2. speed, no load warm: 40/60  $\pm$  10%
  3. current, no load warm: 2/3 amps
  4. min. stall torque: 12 Nm
  5. max. stall current: 12 amps
  6. fuse motor circuit at 12 amps min.
  7. terminals are 1/4" male blade
  8. hardware available as kit 400300
  9. motor capable of additional wipe angles (see table)
  10. motor capable of being parked both CW and CCW
  11. motor supplied with hardware shown
  12. motor housing must be grounded to chassis ground

wipe angles*						
40°	53°	65°	85°	100°	110°	120°

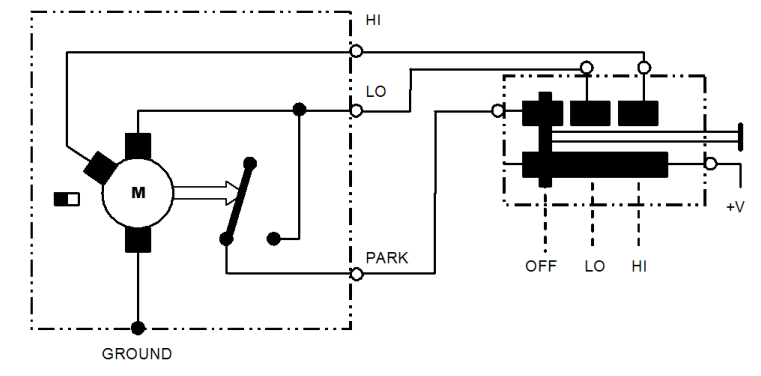
\* Wipe angles and park may be changed by repositioning internal linkage. Contact Wexco engineering.

wipe	wiper arm length in inches						wiper blade length in inches
	12	14	16	18	20	22	
40°	26	26	26	26	26	21	
53°	26	26	26	24	22	20	
65°	26	26	23	20	18	17	
85°	24	21	18	16	14	13	
100°	21	18	16	14	13	12	
110°	20	17	15	13	12	11	
120°	18	16	14	12	11	10	

Maximum arm/blade combinations for given wipe angle with 1.5 oz. arm tip force per inch of blade



CIRCUIT DIAGRAM



12 volt 110° 2" shaft park CCW

PROPRIETARY AND CONFIDENTIAL  
THE INFORMATION CONTAINED IN THIS DRAWING IS THE SOLE PROPERTY OF WEXCO INDUSTRIES. ANY REPRODUCTION IN PART OR AS A WHOLE WITHOUT THE WRITTEN PERMISSION OF WEXCO INDUSTRIES IS PROHIBITED.

UNLESS OTHERWISE SPECIFIED:	NAME	DATE
DIMENSIONS ARE IN MM	DRAWN	MP 3-27-08
3rd ANGLE PROJECTION	CHECKED	MP 3-27-08
	ENG APPR.	MP 3-27-08
INTERPRET GEOMETRIC TOLERANCING PER: ISO 2768-1 M MATERIAL	COMMENTS:	
FINISH		
APPLICATION		

**WEXCO Industries**

TITLE:  
Oscillating wiper motor

SIZE	DWG. NO.	REV
C	4R2.12.R110D	A
SCALE: 1:1	WEIGHT:	SHEET 1 OF 1