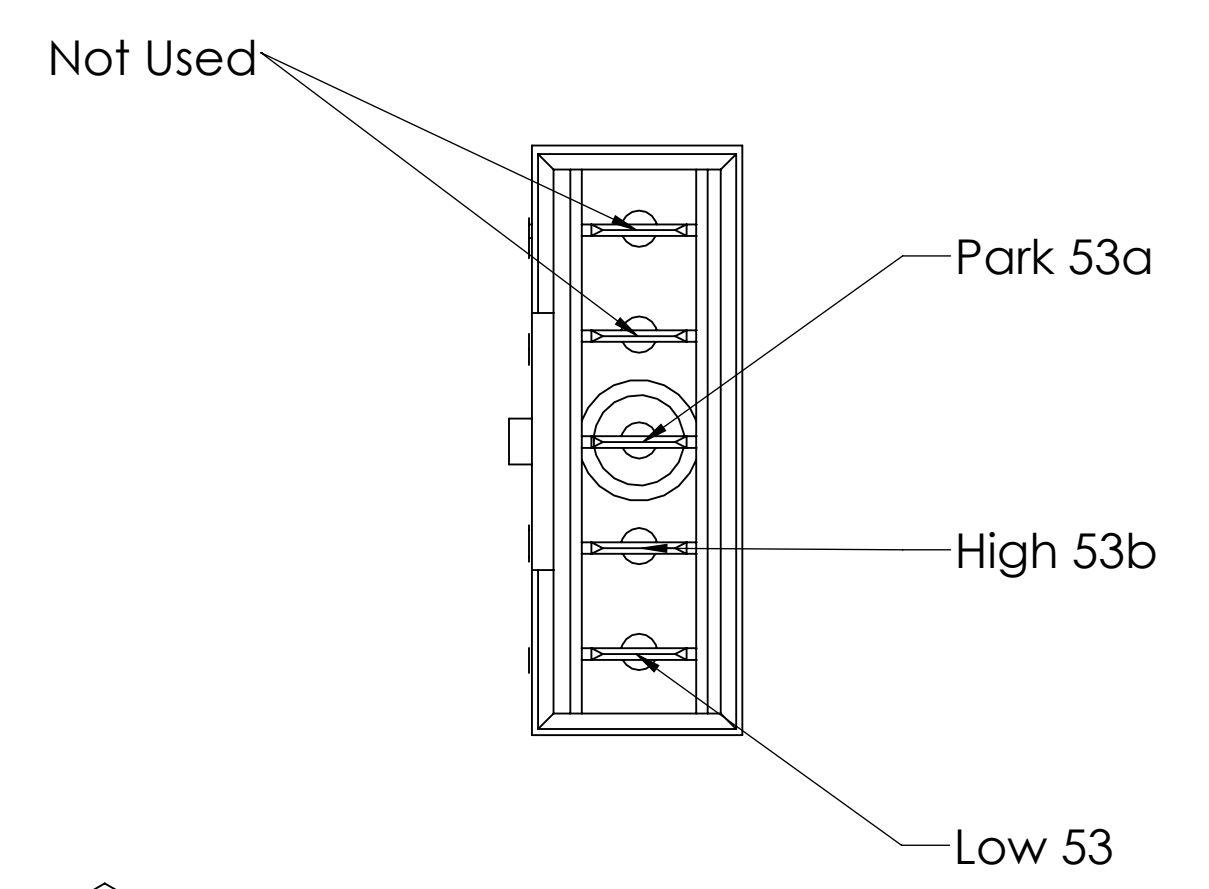
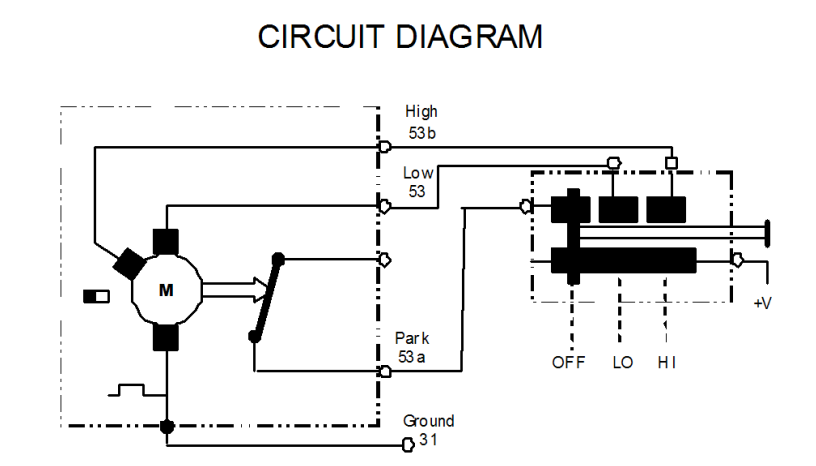
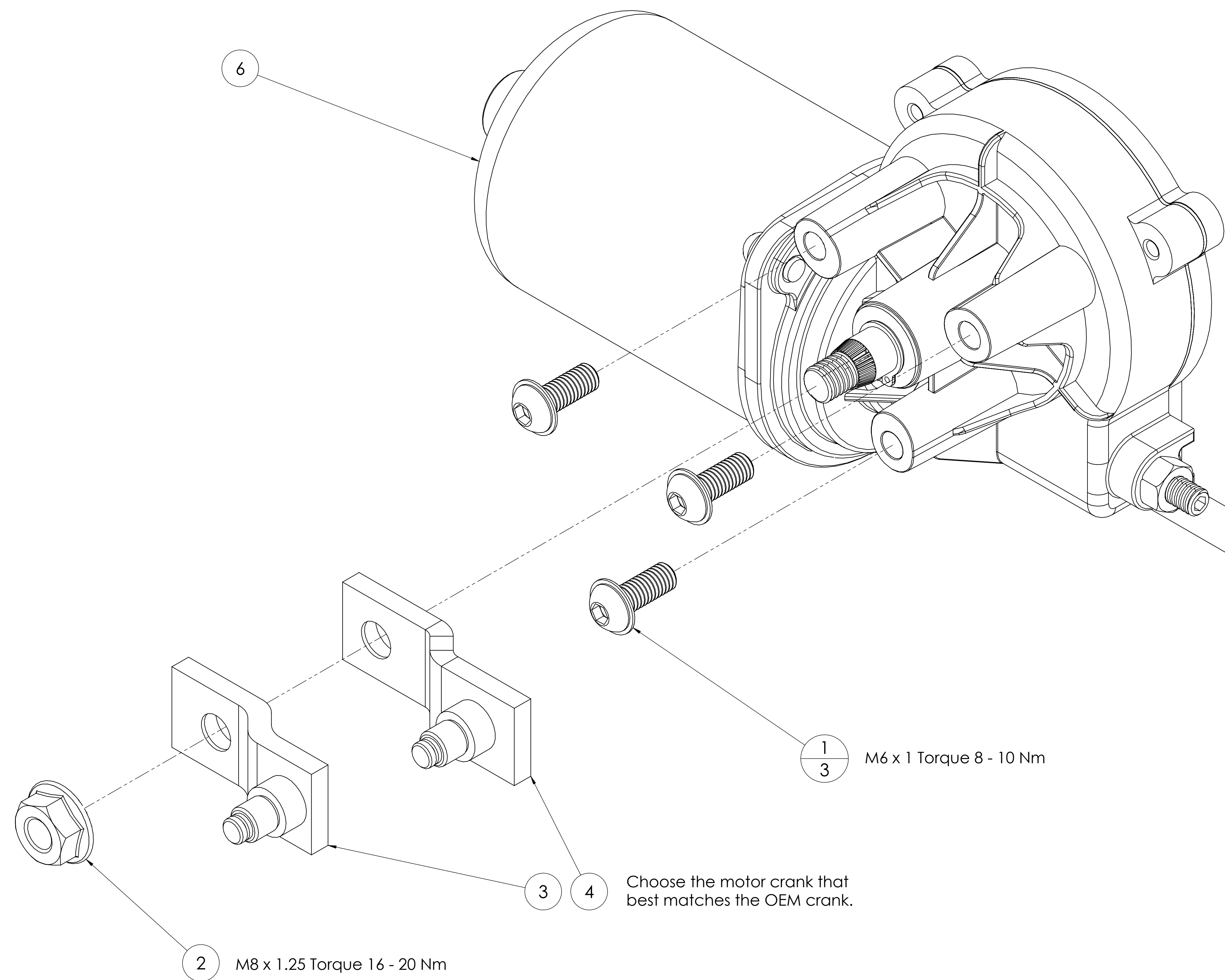


REV	DATE	ECR	DESCRIPTION
A	12-12-14	-	Initial Release



ITEM NO.	PART NUMBER	DESCRIPTION	QTY.
1	106800	M6 ButtonHdCpScr	3
2	400200	M8 SeratFingNut	1
3	62111	Crank As'y (1.057cc)	1
4	62112	Crank As'y (1.38cc)	1
5	411.02000.2512	H130/ 25NM 12V Coast W SAE^	1

UNLESS OTHERWISE SPECIFIED:
 DIMENSIONS ARE IN MM
 TOLERANCES PER ISO 2768-1
 CLASS M
 3RD ANGLE PROJECTION

NAME	DATE
DRAWN JP	12-12-14
CHECKED JH	12-18-14
ENG APPR. JH	12-18-14

WEXCO INDUSTRIES

PROPRIETARY AND CONFIDENTIAL
 THE INFORMATION CONTAINED IN THIS DRAWING IS THE SOLE PROPERTY OF WEXCO INDUSTRIES. ANY REPRODUCTION IN PART OR AS A WHOLE WITHOUT THE WRITTEN PERMISSION OF WEXCO INDUSTRIES IS PROHIBITED.

INTERPRET GEOMETRIC TOLERANCING PER:
 MATERIAL
 FINISH
 APPLICATION

COMMENTS:

TITLE: All Makes Motor

SIZE: D PART NO. AX9111 REV A

SCALE: 1:1 WEIGHT: SHEET 1 OF 1